

Amerock



Buckeye

HARDWARE

DISTRIBUTING, LTD.

2025 Catalog

FULL LINE MASTER DISTRIBUTOR OF AMEROCK
THIS PAGE FOR COLOR REFERENCE ONLY

SILVER TONES



26, CH
POLISHED CHROME



PN
POLISHED NICKEL



G10, SN
SATIN NICKEL (MATTE)



SC
SILVER CHAMPAGNE



G9
STERLING NICKEL



S
SILVER



G10
SATIN NICKEL



14
NICKEL



SS
STAINLESS STEEL



AA
ANODIZED ALUMINUM



26D, SCH
BRUSHED CHROME



BBN
BLACK BRUSHED NICKEL



BCR
BLACK CHROME



AS
ANTIQUE SILVER



AP
AGED PEWTER



AN
ANTIQUE NICKEL



WN
WEATHERED NICKEL



WNC
WEATHERED NICKEL COPPER

GOLD TONES



CZ
CHAMPAGNE BRONZE



BBZ
BRUSHED BRONZE OR GOLDEN CHAMPAGNE



3, PB
POLISHED BRASS



GB
GILDED BRONZE



AE
ANTIQUE ENGLISH



EB
ELEGANT BRASS



O77, BB
BURNISHED BRASS



AB, ABS
ANTIQUE BRASS



DBS
DISTRESSED BRASS



R1
REGENCY BRASS



R2
WEATHERED BRASS



R3
RUSTIC BRASS

THIS PAGE FOR COLOR REFERENCE ONLY

BOLD TONES



AC
ANTIQUE COPPER



BC
BRUSHED COPPER



WC
WEATHERED
COPPER



RBZ
RUSTIC BRONZE



CBZ
CARMEL BRONZE



ART
ANTIQUE RUST



VS
VIRIDIAN SLATE



RB
ROMAN BRONZE



VB
VENETIAN
BRONZE



ORB
OIL-RUBBED
BRONZE



DOB
DARK OILED
BRONZE

BLACK TONES



WI, WID
WROUGHT IRON
OR WROUGHT
IRON DARK



PWT
PEWTER



GM
GUNMETAL



GPH
GRAPHITE



BN, BNB
BLACK NICKEL



BBR
BLACK BRONZE



FB
FLAT BLACK



CB
COLONIAL BLACK



MB
MATTE BLACK

MISCELLANEOUS TONES



30, W, 54, GW
WHITE



MW
MARBLE WHITE

EVERYDAY HERITAGE



1910-G10
1 1/4" DIA
1 1/8" PROJ



G10



53018-G10
1 3/8" L
1 1/2" PROJ



ORB G10 26



69151-G10
1 1/2" DIA
3/4" PROJ



G10



3413-26
1 1/2" DIA
5/8" PROJ



26



888-AE
1 3/8" DIA
5/8" PROJ



AE



53001-ORB
1 1/4" DIA
7/8" PROJ



ORB



53011-G10
1 1/4" DIA
1 1/8" PROJ



FB ORB G10



53015-G10
1 1/4" DIA
1" PROJ



FB ORB G10



173-ORB
3" C/C | 4 5/8" L



ORB G10



29113-G10
1 1/4" DIA
3/4" PROJ



ORB G10



29115-G10
1 1/2" DIA
1 1/8" PROJ



G10



53006-ORB
3" C/C | 3 3/8" L



ORB



3401-CB
3 1/4" C/C | 5 1/16" L



CB



3403-CB
1 1/4" DIA
3/4" PROJ



CB



29111-G10
128MM C/C | 6" L




G10




52996-G10
96MM C/C | 4 13/16" L



G10



69153-G10
3" C/C | 4" L



G10



3416-26
3" C/C | 4" L



26



53009-G10
3" C/C | 3 3/8" L



G10



76312-G10
4" C/C | 4 1/4" L



G10



867-CS26D
3 1/2" C/C | 3 13/16" L



CS26D CSG10



76313-26
6" C/C | 4 1/4" L



26



AVAILABLE FINISHES



36758-CZ
1 1/4" DIA | 1" PROJ



36762-CZ
76MM C/C | 4 7/8" L



36763-CZ
96MM C/C | 7 7/16" L



36764-CZ
76MM C/C | 3 3/4" L



36759-CZ
96MM C/C | 4 9/16" L



36760-CZ
128MM C/C | 5 13/16" L



36761-CZ
192MM C/C | 8 5/16" L



54030-CZ
12" C/C | 13" L



54031-CZ
18" C/C | 19" L



ASHBY

AVAILABLE FINISHES



36640-GM
76MM C/C | 5 1/8" L

BAR PULLS

AVAILABLE FINISHES



19010-SS
3" C/C | 5 3/8" L



19011-SS
96MM C/C | 6 1/8" L



19541-SS
128MM C/C | 7 3/8" L



19012-SS
192MM C/C | 9 15/16" L



19013-SS
256MM C/C | 13 1/4" L

BAR PULLS

19009-ORB
2" L | 1 3/8" PROJ

BBR ORB CZ BBZ CSG9 SS PN 26

40515-ORB
3" C/C | 5 3/8" L

BBR ORB CZ BBZ PN 26

40516-ORB
96MM C/C | 6 1/8" L

BBR ORB CZ BBZ PN 26

40517-ORB
128MM C/C | 7 3/8" L

BBR ORB CZ BBZ PN 26

40518-ORB
192MM C/C | 9 7/8" L

BBR ORB CZ BBZ PN 26

40519-ORB
256MM C/C | 13 1/4" L

BBR ORB CZ BBZ PN 26

54008-ORB
12" C/C | 14 5/8" L

BBR ORB BBZ CSG9 SS PN

19014-ORB
320MM C/C | 15 3/4" L

BBR ORB CZ BBZ CSG9 SS PN 26

19015-ORB
416MM C/C | 19 1/2" L

ORB CSG9 SS

54025-ORB
18" C/C | 20 5/8" L

BBR ORB BBZ SS PN

19016-ORB
480MM C/C | 22" L

BBR ORB CZ BBZ CSG9 SS PN 26

19017-ORB
544MM C/C | 24 9/16" L

ORB CSG9 SS

19018-ORB
640MM C/C | 28 3/8" L

ORB CSG9 SS

19019-ORB
768MM C/C | 33 3/8" L

ORB CSG9 SS



BLACKROCK

AVAILABLE FINISHES



55274-BBZ
1 13/16" L | 3/4" PROJ



55270-BBZ
1 5/16" DIA | 1" PROJ



55275-BBZ
3" C/C | 3 3/4" L



55272-BBZ
1 5/8" DIA | 1 1/4" PROJ



55276-BBZ
96MM C/C | 4 5/8" L



55271-BBZ
1 3/16" L | 1 1/16" PROJ



55277-BBZ
128MM C/C | 6" L



55278-BBZ
160MM C/C | 7 1/4" L



55273-BBZ
1 1/2" L | 1 3/8" PROJ



55282-BBZ
203MM C/C | 8 15/16" L



55283-BBZ
256MM C/C | 11" L



55284-BBZ
320MM C/C | 13 9/16" L



55280-BBZ
12" C/C | 13 3/8" L



55281-BBZ
18" C/C | 19 3/8" L

AVAILABLE FINISHES



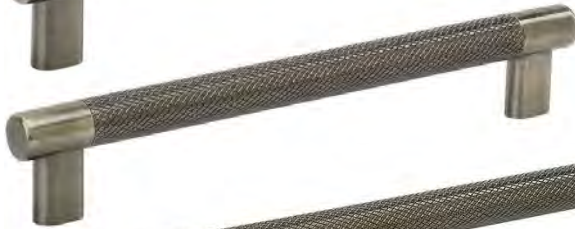
36557-GM
3" OR 3 3/4" C/C | 4 11/16" L



36558-GM
5 1/16" C/C | 5 15/16" L



36559-GM
6 5/16" C/C | 7 3/16" L



36562-GM
8" C/C | 8 7/8" L



36560-GM
10 1/16" C/C | 11" L



36561-GM
12 5/8" C/C | 13 1/2" L



54070-GM
12" C/C | 13" L



54071-GM
18" C/C | 19" L



54072-GM
24" C/C | 25" L

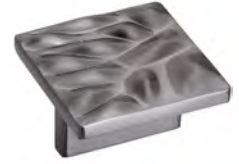


36556-GM
2 5/8" C/C | 5/8" L

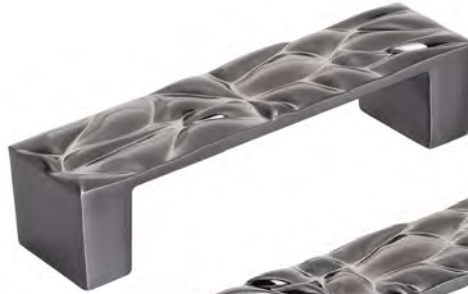


CALATHEA

AVAILABLE FINISHES



10132-BCR
1 1/4" L | 1 1/8" PROJ



100396-BCR
3 3/4" C/C | 4 7/16" L



1003128-BCR
5 1/16" C/C | 5 11/16" L



1003160-BCR
6 5/16" C/C | 7" L

CALIBER

AVAILABLE FINISHES



36872-ORB
1 1/4" DIA | 1 3/16" PROJ



37365-ORB
76MM C/C | 5 1/8" L



36873-ORB
96MM C/C | 5 7/8" L



36874-ORB
128MM C/C | 7 1/8" L



36875-ORB
160MM C/C | 8 7/16" L



36876-ORB
192MM C/C | 9 11/16" L



36877-ORB
256MM C/C | 12 3/16" L

CANDLER

AVAILABLE FINISHES



29349-BBZ
3" C/C | 4 3/8" L



29340-BBZ
1 1/4" L | 1 1/8" PROJ



29355-BBZ
96MM C/C | 5 1/8" L



29368-BBZ
1 1/2" L | 1 1/4" PROJ



29363-BBZ
128MM C/C | 6 1/2" L



29364-BBZ
160MM C/C | 8" L



29366-BBZ
12" C/C | 14 5/8" L



29367-BBZ
18" C/C | 20 3/4" L



AVAILABLE FINISHES



CARRIONE



36648-MW/BBZ
3 3/4" C/C | 6 5/16" L



36647-MW/BBZ
2 1/2" L | 1 9/16" PROJ



36649-MW/BBZ
5 1/16" C/C | 7 1/2" L

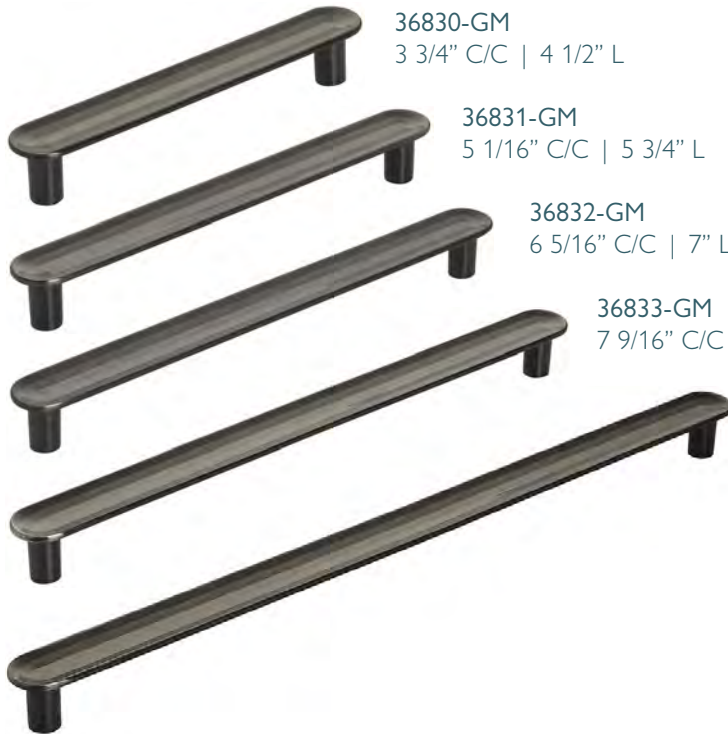


36650-MW/BBZ
6 5/16" C/C | 8 3/4" L



CONCENTRIC

AVAILABLE FINISHES



36830-GM
3 3/4" C/C | 4 1/2" L

36831-GM
5 1/16" C/C | 5 3/4" L

36832-GM
6 5/16" C/C | 7" L

36833-GM
7 9/16" C/C | 8 1/4" L

36834-GM
10 1/16" C/C | 10 3/4" L



36810-GM
1 9/16" DIA | 1 9/16" L



36812-PN
3 3/4" CC | 4 3/16" L

36813-PN
5 1/16" CC | 5 7/16" L

36814-PN
6 5/16" CC | 6 11/16" L

36815-PN
7 9/16" CC | 7 15/16" L

36816-PN
10 1/16" CC | 10 7/16" L



36811-PN
1 1/4" CC | 1 11/16" L



CRAWFORD

AVAILABLE FINISHES



36593-BBZ
3 3/4" C/C | 4 11/16" L

36594-BBZ
5 1/16" C/C | 6 1/16" L

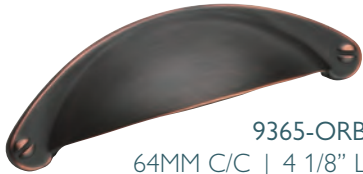
36595-BBZ
6 5/16" C/C | 7 3/8" L



36613-BBZ
1 3/8" DIA | 1 3/16" PROJ



CUP PULLS



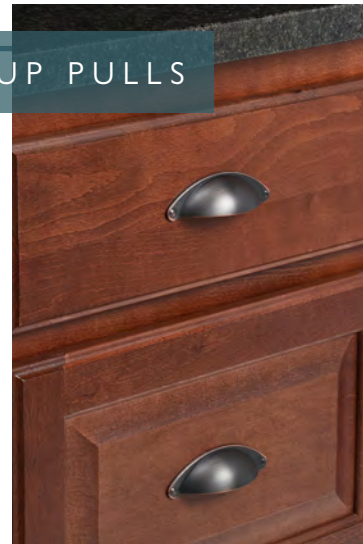
9365-ORB
64MM C/C | 4 1/8" L



53019-G10
2 1/2" C/C | 3 1/8" L



53010-G10
3" C/C | 3 3/8" L



EDONA

AVAILABLE FINISHES



53005-CZ
1 1/4" DIA | 1 1/8" PROJ



ERA

AVAILABLE FINISHES

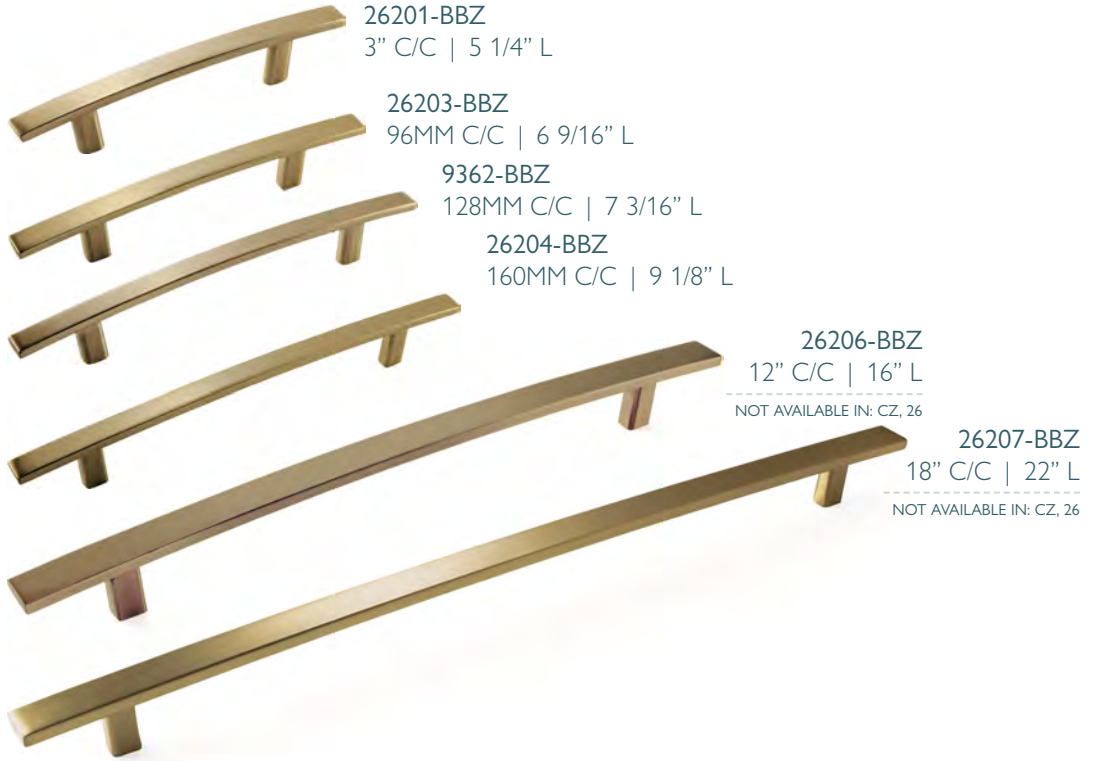


36907-G10
1 1/4" DIA | 1 1/8" PROJ



CYPRUS

AVAILABLE FINISHES



26201-BBZ
3" C/C | 5 1/4" L

26203-BBZ
96MM C/C | 6 9/16" L

9362-BBZ
128MM C/C | 7 3/16" L

26204-BBZ
160MM C/C | 9 1/8" L

26206-BBZ
12" C/C | 16" L
NOT AVAILABLE IN: CZ, 26

26207-BBZ
18" C/C | 22" L
NOT AVAILABLE IN: CZ, 26

DAVENPORT

AVAILABLE FINISHES



36600-ORB
3" C/C | 4 1/2" L

36605-ORB
3 3/4" C/C | 5 5/16" L

36606-ORB
1 1/2" L | 1 3/8" PROJ
5 1/16" C/C | 6 9/16" L

36607-ORB
6 5/16" C/C | 7 13/16" L

36601-ORB
1 1/4" L | 1 3/16" PROJ

36602-ORB

AVAILABLE FINISHES



37370-G10
76MM C/C | 4 1/8" L

36858-G10
96MM C/C | 4 15/16" L

36859-G10
128MM C/C | 6 3/16" L

36860-G10
160MM C/C | 7 7/16" L

36861-G10
224MM C/C | 9 15/16" L

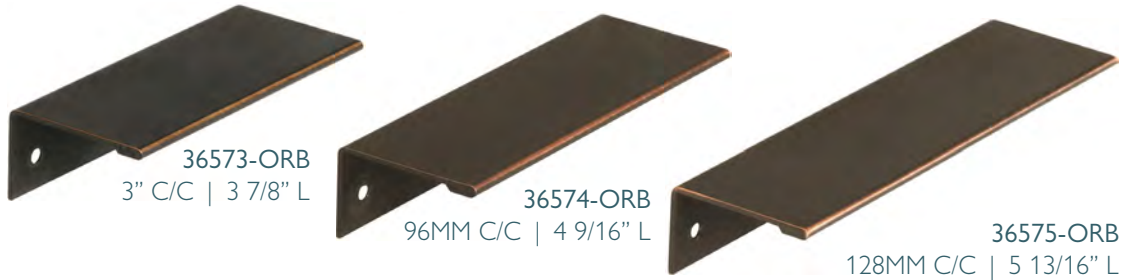
54035-G10
12" C/C | 14 15/16" L

54036-G10
18" C/C | 20 15/16" L



36857-G10
1 3/8" L | 1" PROJ

AVAILABLE FINISHES



36573-ORB
3" C/C | 3 7/8" L

36574-ORB
96MM C/C | 4 9/16" L


36575-ORB
128MM C/C | 5 13/16" L





ESQUIRE

AVAILABLE FINISHES





- 

36556-G10ORB
2 5/8" L | 1 1/2" PROJ
- 

36557-G10ORB
3" C/C | 4 11/16" L
- 


36558-G10ORB
128MM C/C | 5 15/16" L
- 


36559-G10ORB
160MM C/C | 7 3/16" L
- 

36562-G10ORB
203MM C/C | 8 7/8" L
- 

36560-G10ORB
256 MM C/C | 11" L
- 

36561-G10ORB
320MM C/C | 13 1/2" L
- 

54040-G10ORB
12" C/C | 13" L
- 

54041-G10ORB
18" C/C | 19" L
- 

54042-G10ORB
24" C/C | 25" L

ESSENTIAL'Z STAINLESS STEEL

AVAILABLE FINISH



19001-SS
3" C/C | 3 5/8" L



19002-SS
96MM C/C | 4 9/16" L



19003-SS
128MM C/C | 5 15/16" L



19004-SS
160MM C/C | 7 3/8" L



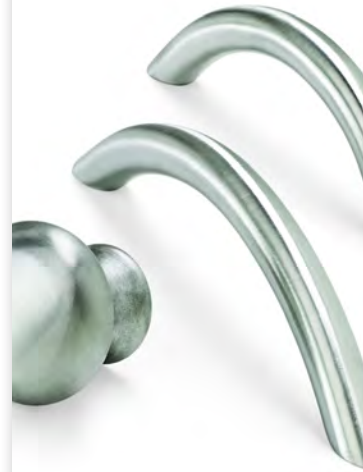
19005-SS
192MM C/C | 8 7/8" L



19008-SS
1 1/4" DIA
1 1/8" PROJ



26200-SS
32MM DIA
1" PROJ



AVAILABLE FINISHES



37375-CZ
76MM C/C | 4 1/2" L



36881-CZ
96MM C/C | 5 1/4" L



36882-CZ
128MM C/C | 6" L



36883-CZ
160MM C/C | 7 1/4" L



36884-CZ
224MM C/C | 9 13/16" L



36880-CZ
1 1/2" DIA | 1 3/16" PROJ

EXCEED



EVERETT

AVAILABLE FINISHES



37103-G10
76MM C/C | 4 9/16" L



37104-G10
96MM C/C | 5 5/16" L



37105-G10
128MM C/C | 6 3/4" L



37106-G10
160MM C/C | 8 1/16" L



37107-G10
192MM C/C | 9 7/16" L



37108-G10
224MM C/C | 11" L



37109-G10
256MM C/C | 12 1/4" L



37110-G10
305MM C/C | 14 11/16" L



37111-G10
457MM C/C | 20 11/16" L



37100-G10
1 3/4" L | 1 1/4" PROJ



37101-G10
1 1/4" DIA | 1 3/16" PROJ



37102-G10
1 5/16" DIA | 1 1/4" PROJ



EXTENSITY

AVAILABLE FINISHES



29379-G10
3" C/C | 4 1/8" L



29385-G10
96MM C/C | 5" L



29393-G10
128MM C/C | 6 1/4" L



29394-G10
160MM C/C | 7 1/2" L



29370-G10
1 3/16" L | 1 1/16" PROJ



AVAILABLE FINISHES



37380-G10
76MM C/C | 3 5/8" L



36781-G10
96MM C/C | 4 5/16" L



36782-G10
128MM C/C | 5 9/16" L



37381-G10
160MM C/C | 6 13/16" L



36783-G10
192MM C/C | 8 1/8" L



36780-G10
1 1/14" DIA | 1 1/16" PROJ

FACTOR



GLACIO

AVAILABLE FINISHES



36659-CBBZ
3" C/C | 4 9/16" L

36654-CBBZ
3 3/4" C/C | 5 5/16" L

36655-CBBZ
5 1/16" C/C | 6 9/16" L

36656-CBBZ
6 5/16" C/C | 7 7/8" L

36661-CBBZ
8" C/C | 9 9/16" L



36651-CBBZ
1 3/4" L | 1 3/16" PROJ



36652-CBBZ
1 3/8" L | 1" PROJ



36653-CBBZ
1 3/8" L | 5/16" PROJ

GRACE REVITALIZE

AVAILABLE FINISHES



36628-BBZ
1 3/8" DIA
1 3/16" PROJ



36629-BBZ
1 3/4" DIA
1 3/8" PROJ

GRANBY

AVAILABLE FINISHES



53013-ORB
3" C/C | 3 3/8" L



55243-ORB
96MM C/C | 4 1/5" L



55244-ORB
128MM C/C | 5 1/2" L



55245-ORB
160MM C/C | 6 7/8" L



AVAILABLE FINISHES



55311-PN
35MM L | 1 1/7" PROJ



55312-PN
28MM DIA | 1 1/5" PROJ



55315-PN
1 3/8" L
1 5/16" PROJ
ONLY AVAILABLE IN: DOB, PN



55316-PN
3" C/C | 4 1/3" L



55317-PN
96MM C/C | 5 1/6" L



55319-PN
128MM C/C | 6 2/3" L



55321-PN
160MM C/C | 8 4/7" L



55323-PN
12" C/C | 15 1/3" L



55324-PN
18" C/C | 20 7/8" L



55318-PN
3 1/2" C/C | 4" L



INSPIRATIONS



1586-ORB
1 3/8" DIA
1" PROJ



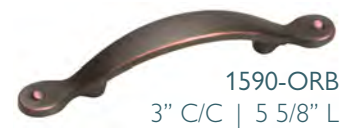
FB ORB G10




1586-2-ORB
1 3/4" DIA
1 1/4" PROJ



FB ORB G10



1590-ORB
3" C/C | 5 5/8" L



FB ORB CZ G10 26



1587-ORB
96MM C/C | 6 5/16" L



FB ORB CZ G10 26



1593-CZ
1 7/8" L | 1 1/16" PROJ



CZ



1592-ORB
3" C/C | 4 1/4" L



FB ORB CZ G10



1588-ORB
128MM C/C | 7 1/2" L



FB ORB CZ G10 26

KAMARI

AVAILABLE FINISHES



MB GM BBZ G10 PN



36822-MB
3 3/4" C/C | 4 15/16" L



36823-MB
5 1/16" C/C | 6 3/16" L



36824-MB
6 5/16" C/C | 7 7/16" L



36825-MB
7 9/16" C/C | 8 3/4" L



36826-MB
10 1/16" C/C | 11 1/4" L



36820-MB
1 3/16" DIA | 1" PROJ



36821-MB
1 3/16" DIA | 1" PROJ



AVAILABLE FINISHES



53801-PN
96MM C/C | 4 1/3" L



53701-PN
3" C/C | 3 5/8" L



53702-PN
96MM C/C | 4 1/2" L



53802-PN
128MM C/C | 5 3/4" L



53803-PN
160MM C/C | 7" L



53805-PN
12" C/C | 13" L



53806-PN
18" C/C | 19 1/4" L



53700-PN
1 1/4" DIA | 1 1/4" PROJ



53807-2-PN
1 5/8" DIA | 1 1/2" PROJ



LONDON

AVAILABLE FINISH



- 

36647-BBRG10
1 1/2" L | 1 9/16" PROJ
- 

36648-BBRG10
3 3/4" C/C | 6 5/16" L
- 

36649-BBRG10
5 1/16" C/C | 7 1/2" L
- 

36650-BBRG10
6 5/16" C/C | 8 3/4" L
- 

36663-BBRG10
8" C/C | 10 7/16" L
- 

36664-BBRG10
10 1/16" C/C | 12 1/2" L

MERGENCE

AVAILABLE FINISHES



- 

37385-FBG10
76MM C/C | 4 1/8" L
- 

36858-FBG10
96MM C/C | 4 15/16" L
- 

36859-FBG10
128MM C/C | 6 3/16" L
- 

36860-FBG10
160MM C/C | 7 7/16" L
- 

36861-FBG10
224MM C/C | 9 15/16" L
- 

36857-FBG10
1 3/8" DIA | 1" PROJ

AVAILABLE FINISHES



36578-ORB
76MM C/C | 3 3/8" L



36570-ORB
96MM C/C | 4 1/8" L



36571-ORB
128MM C/C | 5 7/16" L



36572-ORB
160MM C/C | 6 11/16" L



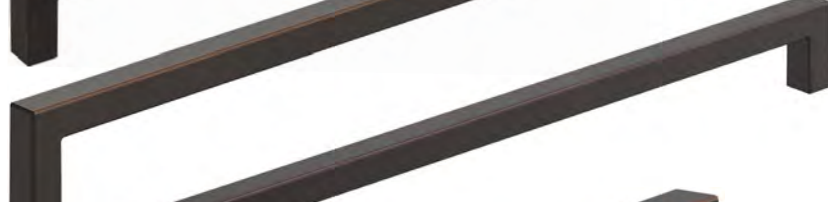
36908-ORB
192MM C/C | 7 15/16" L



36909-ORB
224MM C/C | 9 13/16" L



36910-ORB
256MM C/C | 10 7/16" L



36911-ORB
320MM C/C | 13" L



54045-ORB
12" C/C | 12 11/16" L



54046-ORB
18" C/C | 18 11/16" L

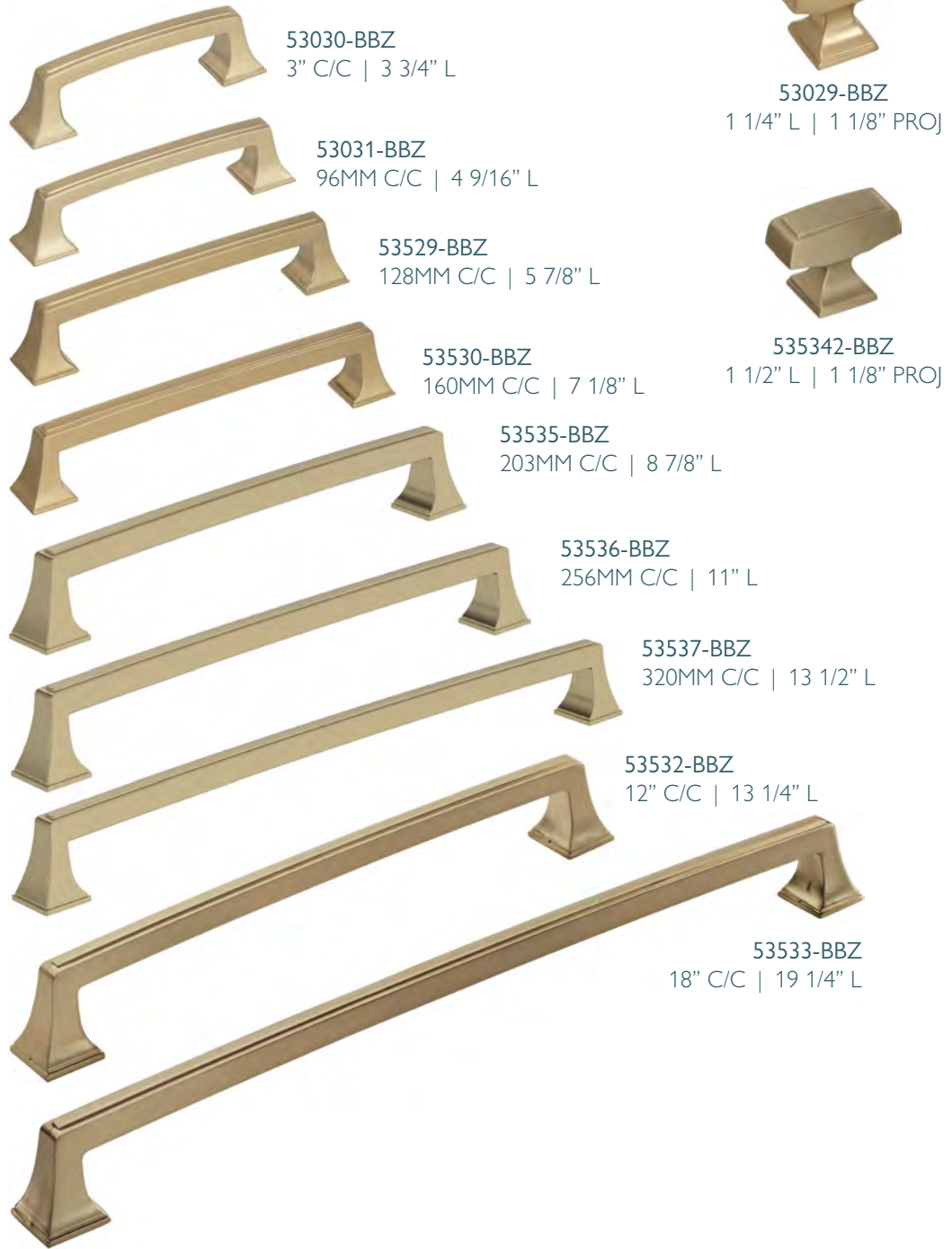


36905-ORB
1 3/16" DIA | 1" PROJ



MULHOLLAND

AVAILABLE FINISHES



53030-BBZ
3" C/C | 3 3/4" L

53029-BBZ
1 1/4" L | 1 1/8" PROJ

53031-BBZ
96MM C/C | 4 9/16" L

53529-BBZ
128MM C/C | 5 7/8" L

535342-BBZ
1 1/2" L | 1 1/8" PROJ

53530-BBZ
160MM C/C | 7 1/8" L

53535-BBZ
203MM C/C | 8 7/8" L

53536-BBZ
256MM C/C | 11" L

53537-BBZ
320MM C/C | 13 1/2" L

53532-BBZ
12" C/C | 13 1/4" L

53533-BBZ
18" C/C | 19 1/4" L

NATURE'S SPLENDOR

AVAILABLE FINISHES



1581-ORB
1 1/4" DIA
1 1/8" PROJ



1580-ORB
3" C/C | 5 5/8" L



OBERON



36603-PN
1 3/8" DIA
1 3/16" PROJ



MB GM CZ BBZ G10 PN



36608-CZFA
1 3/8" DIA
1 3/16" PROJ



MBFA GMFA CZFA BBZFA G10FA PNFA



36604-PN
1 3/4" DIA
1 5/16" PROJ



GM BBZ G10 PN



36609-BBZFA
1 3/4" DIA
1 5/16" PROJ



GMFA BBZFA G10FA PNFA

OVERTON

AVAILABLE FINISHES



BMB BMB BCR BGL BGL
BGL G10 BGL BCR G10



36681-BMBG10
3 3/4" C/C | 4 15/16" L



36682-BMBG10
5 1/16" C/C | 6 3/16" L



36683-BMBG10
6 5/16" C/C | 7 7/16" L



36684-BMBG10
8 13/16" C/C | 10" L



36680-BMBG10
2 5/8" L | 1 3/16" PROJ

PREMISE

AVAILABLE FINISHES



FB CZ G10 26



36844-CZ
96MM C/C | 4 1/4" L



36845-CZ
128MM C/C | 5 9/16" L



36846-CZ
160MM C/C | 6 13/16" L




36843-CZ
1 1/4" DIA | 1 1/16" PROJ





RADIUS


AVAILABLE FINISHES





- 


37390-FB
76MM C/C | 5" L
- 


36865-FB
96MM C/C | 5 3/4" L
- 


36866-FB
128MM C/C | 7 1/16" L
- 


36867-FB
160MM C/C | 8 5/16" L
- 

36868-FB
192MM C/C | 9 9/16" L
- 

36869-FB
256MM C/C | 12 1/16" L
- 

37391-FB
320MM C/C | 14 5/8" L
- 

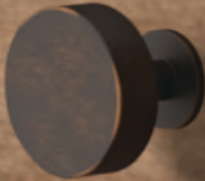
54050-FB
12" C/C | 14 15/16" L
- 

54051-FB
18" C/C | 21" L
- 

54052-FB
24" C/C | 27" L



36864-FB
1 1/4" DIA | 1 1/16" PROJ



RAVINO

AVAILABLE FINISHES



21935-CZ
76MM C/C | 5" L

21936-CZ
96MM C/C | 5 3/4" L

21937-CZ
128MM C/C | 7 1/16" L

21938-CZ
160MM C/C | 8 5/16" L

22094-CZ
76MM C/C | 3 11/16" L

53012-CZ
1 1/4" DIA
1 1/8" PROJ



AVAILABLE FINISHES



37395-ORB
76MM C/C | 3 5/8" L

36794-ORB
96MM C/C | 4 7/16" L

36795-ORB
128MM C/C | 5 11/16" L

36796-ORB
160MM C/C | 7" L

54055-ORB
12" C/C | 13 1/16" L

54056-ORB
18" C/C | 19 5/16" L

36793-ORB
1 1/4" DIA
1 1/8" PROJ

ALSO AVAILABLE IN
BBZ

RENOVN



REVITALIZE

AVAILABLE FINISHES



55343-ORB
3" C/C | A3 11/16" L



55344-ORB
96MM C/C | 4 5/16" L



55346-ORB
128MM C/C | 5 5/8" L



55347-ORB
160MM C/C | 6 7/8" L



55351-ORB
203MM C/C | 8 9/16" L



55349-ORB
12" C/C | 13" L



55350-ORB
18" C/C | 18 7/8" L



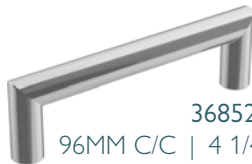
55340-ORB
1 1/4" L | 7/8" PROJ



55342-ORB
1 1/4" DIA | 1 1/4" PROJ

REVOLVE

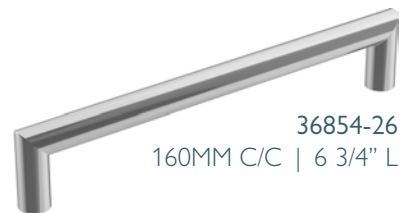
AVAILABLE FINISHES



36852-26
96MM C/C | 4 1/4" L



36853-26
128MM C/C | 5 1/2" L



36854-26
160MM C/C | 6 3/4" L



AVAILABLE FINISHES



36899-FB
96MM C/C | 4 1/4" L



36900-FB
128MM C/C | 5 1/2" L

RIFT



AVAILABLE FINISHES



55364-GPH
3" C/C | 3 5/8" L



55365-GPH
96MM C/C | 4 7/16" L



55367-GPH
128MM C/C | 5 11/16" L



55368-GPH
160MM C/C | 7 1/16" L



55370-GPH
12" C/C | 13" L
ONLY AVAILABLE IN: GPH, G10



55371-GPH
18" C/C | 19 1/8" L
ONLY AVAILABLE IN: GPH, G10

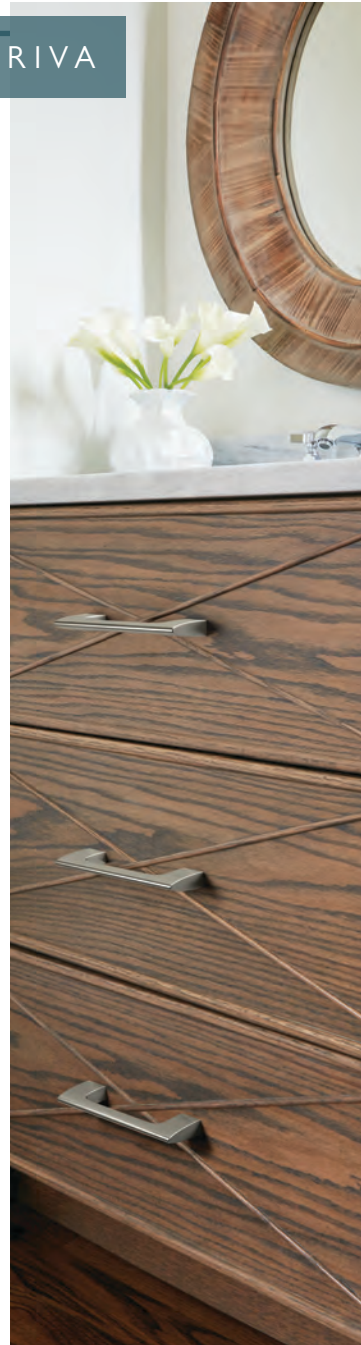


55361-GPH
2 1/2" L
1 3/16" PROJ



55362-GPH
1 1/4" DIA
1 1/16" PROJ

RIVA



ROCHDALE

AVAILABLE FINISHES



53710-G10
1 1/4" DIA
1 1/8" PROJ



53711-G10
3" C/C | 4" L



53712-G10
96MM C/C | 4 3/4" L



53713-G10
128MM C/C | 6" L



53714-G10
160MM C/C | 7 1/4" L



53715-G10
3" C/C | 4 1/2" L



53716-G10
96MM C/C | 5 3/8" L

SEA GRASS

AVAILABLE FINISHES



36617-BBZ
1 3/4" L | 1 5/16" PROJ



36614-BBZ
1 1/2" L | 1 3/16" PROJ



36615-BBZ
3" C/C | 3 7/8" L



36621-BBZ
3 3/4" C/C | 5" L



36622-BBZ
5 1/16" C/C | 6 1/4" L



36623-BBZ
6 5/16" C/C | 7 1/2" L

SEPARA

AVAILABLE FINISHES



BBN 26



36735-BBN
160MM C/C | 8 13/16" L



36736-BBN
8" C/C | 10 1/2" L



36737-BBN
10 1/16" C/C | 12 5/8" L



AVAILABLE FINISHES



BBR ORB CZ BBZ G10 PN 26



36646-PN
3" C/C | 5 7/16" L



36642-PN
2 1/2" L | 1 7/16" PROJ



36643-PN
3 3/4" C/C | 6 5/16" L



36644-PN
5 1/16" C/C | 7 1/2" L



36645-PN
6 5/16" C/C | 8 3/4" L


ST. VINCENT





STATURE


AVAILABLE FINISHES





- 


36891-26
76MM C/C | 3 3/4" L
- 


22439-26
128MM C/C | 6 3/8" L
- 


36887-26
96MM C/C | 4 9/16" L
- 


36888-26
128MM C/C | 5 13/16" L
- 


11287-26
1 1/4" L | 1 1/4" PROJ
- 

36889-26
160MM C/C | 7 1/16" L
- 

36890-26
224MM C/C | 9 9/16" L
- 

37400-26
256MM C/C | 10 7/8" L
- 

37401-26
320MM C/C | 13 7/16" L
- 

54060-26
12" C/C | 13 1/8" L
- 

54061-26
18" C/C | 19 1/16" L



STATUS

AVAILABLE FINISHES



36837-MB
96MM C/C | 4 9/16" L

36838-MB
128MM C/C | 5 13/16" L

36839-MB
160MM C/C | 7 1/16" L

36840-MB
224MM C/C | 9 5/8" L



36836-MB
2" L | 1 1/16" PROJ

SURPASS

AVAILABLE FINISHES



36897-CZ
76MM C/C | 3 25/32" L

36894-CZ
96MM C/C | 4 9/16" L

36895-CZ
128MM C/C | 5 13/16" L

36896-CZ
160MM C/C | 7 1/16" L



36893-CZ
1 1/4" L | 1 3/16" PROJ

TRADITIONAL CLASSICS



55268-CBBZ
1 1/4" DIA
1 1/2" PROJ



CORB CBBR CBBZ CG10 CPN



TRANSCENDENT

AVAILABLE FINISHES



741496-MBMG
3 3/4" C/C | 6 15/16" L



7414128-MBMG
5 1/16" C/C | 8 3/16" L



7414160-MBMG
6 5/16" C/C | 9 7/16" L



7414192-MBMG
7 9/16" C/C | 10 11/16" L



7414256-MBMG
10 1/16" C/C | 13 3/16" L



UPRISE

AVAILABLE FINISHES



36917-G10
96MM C/C | 6 5/8" L



36918-G10
128MM C/C | 7 7/8" L



36919-G10
192MM C/C | 10 5/8" L



36920-G10
224MM C/C | 11 15/16" L



URBANITE

AVAILABLE FINISHES



- 

77896-BGLWHT
3 3/4" C/C | 6 1/2" L
- 

778128-BGLWHT
5 1/16" C/C | 7 13/16" L
- 

778160-BGLWHT
6 5/16" C/C | 9 1/16" L
- 

778192-BGLWHT
7 9/16" C/C | 10 1/4" L
- 

778256-BGLWHT
10 1/16" C/C | 12 3/4" L
- 

67-BGLWHT
2 5/8" L | 1 3/16" PROJ



AVAILABLE FINISHES



- 

37230-G10
76MM C/C | 3 15/16" L
- 

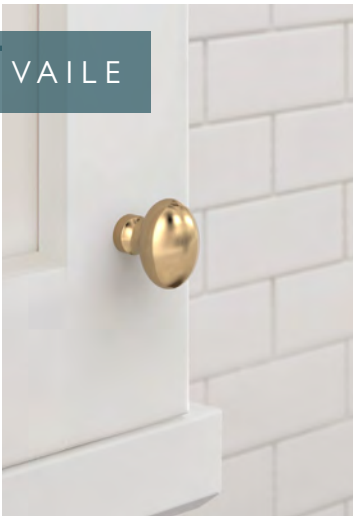
37231-G10
128MM C/C | 6" L
- 

53014-G10
1 3/8" L | 1 1/2" PROJ
- 

53003-G10
96MM C/C | 4 3/4" L
- 


37232-G10
160MM C/C | 7 1/4" L


VAILE





AVAILABLE FINISHES




- 

36912-FB
96MM C/C | 4 11/16" L
- 

36913-FB
128MM C/C | 5 15/16" L
- 

36914-FB
160MM C/C | 7 3/16" L
- 

36915-FB
224MM C/C | 9 3/4" L
- 

36904-FB
1 3/8" DIA | 1" PROJ

VERSA



VILLE

AVAILABLE FINISHES



36775-26
96MM C/C | 4 5/8" L

36776-26
128MM C/C | 5 7/8" L

36777-26
160MM C/C | 7 1/8" L



36774-26
1 1/8" DIA | 1 1/16" PROJ

WESTERLY

AVAILABLE FINISHES



53719-BBZ
3" C/C | 4 1/4" L

53720-BBZ
96MM C/C | 5 1/16" L

53721-BBZ
128MM C/C | 6 1/4" L

53722-BBZ
160MM C/C | 7 5/8" L

54023-BBZ
12" C/C | 13 7/8" L

53717-BBZ
1 5/16" L | 1 1/16" PROJ

53718-BBZ
1 3/16" DIA | 1 1/8" PROJ

54024-BBZ
18" C/C | 19 15/16" L



AVAILABLE FINISHES



36770-CZ
76MM C/C | 4 1/2" L



36766-CZ
96MM C/C | 5 5/16" L



36767-CZ
128MM C/C | 6 1/2" L



36771-CZ
160MM C/C | 7 13/16" L



36768-CZ
192MM C/C | 9 1/16" L



36769-CZ
224MM C/C | 10 5/16" L



54065-CZ
12" C/C | 14 1/2" L



54066-CZ
18" C/C | 20 9/16" L



54067-CZ
24" C/C | 26 1/2" L



36765-CZ
1 1/4" DIA | 1 3/16" PROJ

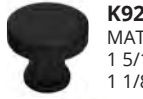


H-Select

COLORADO



K92925-SN
SATIN NICKEL
1 5/16" DIA
1 1/8" PROJ



K92925-BK
MATTE BLACK
1 5/16" DIA
1 1/8" PROJ



K92925-10B
OIL RUBBED BRONZE
1 5/16" DIA
1 1/8" PROJ



K92925-RG
ROSE GOLD
1 5/16" DIA
1 1/8" PROJ



K92925-DP
DARK PEWTER
1 5/16" DIA
1 1/8" PROJ



K92925-PC
POLISHED CHROME
1 5/16" DIA
1 1/8" PROJ



K94723-SN
SATIN NICKEL
1 1/8" DIA
1 1/8" PROJ



K94723-BK
MATTE BLACK
1 1/8" DIA
1 1/8" PROJ



K94723-10B
OIL RUBBED BRONZE
1 1/8" DIA
1 1/8" PROJ



K94723-RG
ROSE GOLD
1 1/8" DIA
1 1/8" PROJ



K94723-DP
DARK PEWTER
1 1/8" DIA
1 1/8" PROJ



K94723-PC
POLISHED CHROME
1 1/8" DIA
1 1/8" PROJ



K92836-SN
SATIN NICKEL
4 5/8" L
96MM C/C



K92836-10B
OIL RUBBED BRONZE
4 5/8" L
96MM C/C



K92836-DP
DARK PEWTER
4 5/8" L
96MM C/C



K92837-SN
SATIN NICKEL
5 7/8" L
128MM C/C



K92837-10B
OIL RUBBED BRONZE
5 7/8" L
128MM C/C



K92837-DP
DARK PEWTER
5 7/8" L
128MM C/C



K92838-SN
SATIN NICKEL
7 1/8" L
160MM C/C



K92838-10B
OIL RUBBED BRONZE
7 1/8" L
160MM C/C



K92838-DP
DARK PEWTER
7 1/8" L
160MM C/C



K92836-BK
MATTE BLACK
4 5/8" L
96MM C/C



K92836-RG
ROSE GOLD
4 5/8" L
96MM C/C



K92836-PC
POLISHED CHROME
4 5/8" L
96MM C/C



K92837-BK
MATTE BLACK
5 7/8" L
128MM C/C



K92837-RG
ROSE GOLD
5 7/8" L
128MM C/C



K92837-PC
POLISHED CHROME
5 7/8" L
128MM C/C



K92838-BK
MATTE BLACK
7 1/8" L
160MM C/C



K92838-RG
ROSE GOLD
7 1/8" L
160MM C/C



K92838-PC
POLISHED CHROME
7 1/8" L
160MM C/C



STOCKPORT



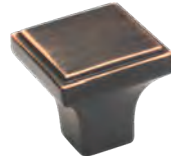
K3219-96-ORB
OIL RUBBED BRONZE
4 5/8" L
96MM C/C



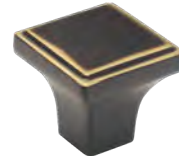
K3219-96-BYAB
BLACK YELLOW ANTIQUE BRASS
4 5/8" L
96MM C/C



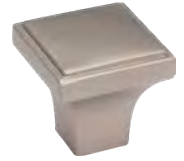
K3219-96-BRN
BRUSHED NICKEL
4 5/8" L
96MM C/C



K3219-ORB
OIL RUBBED BRONZE
1 1/16" DIA
1" PROJ



K3219-BYAB
BLACK YELLOW ANTIQUE BRASS
1 1/16" DIA
1" PROJ



K3219-BRN
BRUSHED NICKEL
1 1/16" DIA
1" PROJ

ROWVILLE



K3235-96-BYAB
BLACK YELLOW ANTIQUE BRASS
5 1/8" L
96MM C/C



K3235-128-BYAB
BLACK YELLOW ANTIQUE BRASS
6 3/8" L
128MM C/C



K3235-96-ORB
OIL RUBBED BRONZE
5 1/8" L
96MM C/C



K3235-128-ORB
OIL RUBBED BRONZE
6 3/8" L
128MM C/C



K3235-96-BRN
BRUSHED NICKEL
5 1/8" L
96MM C/C



K3235-128-BRN
BRUSHED NICKEL
6 3/8" L
128MM C/C



K3235-96-BL
BLACK
5 1/8" L
96MM C/C



K3235-128-BL
BLACK
6 3/8" L
128MM C/C

H-Select

CHEYENNE



K3417-ORB
OIL RUBBED BRONZE
1 1/4" DIA
1" PROJ



K3417-BB
BURNISHED BRASS
1 1/4" DIA
1" PROJ



K3417-WN
WEATHERED NICKEL
1 1/4" DIA
1" PROJ



K3417-GOLD
GOLD
1 1/4" DIA
1" PROJ

DENALI



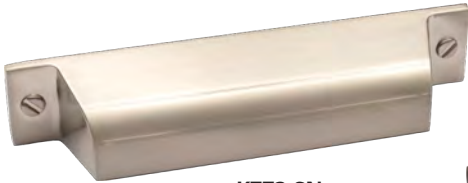
K4618-BN
BRUSHED NICKEL
1" DIA
1 3/16" PROJ



K4618-SAB
SABLE
1" DIA
1 3/16" PROJ



K4618-HB
HONEY BRONZED
1" DIA
1 3/16" PROJ



K773-SN
SATIN NICKEL
5 1/4" L
96MM C/C



K773-SAB
SABLE
5 1/4" L
96MM C/C



K773-HB
HONEY BRONZED
5 1/4" L
96MM C/C

INSPIRATION RING



K4118-WN
WEATHERED NICKEL
2" DIA
1 1/2" PROJ



K4118-BB
BURNISHED BRASS
2" DIA
1 1/2" PROJ



K4118-ORB
OIL RUBBED BRONZE
2" DIA
1 1/2" PROJ

H-Select

CLASSIC RING



K4318-BRPW
BRUSHED PEWTER
2" DIA
1" PROJ



K4318-BN
BRUSHED NICKEL
2" DIA
1" PROJ



K4318-AE
ANTIQUENGLISH
2" DIA
1" PROJ



K4318-ORB
OIL RUBBED BRONZE
2" DIA
1" PROJ

LINCOLN



K4218-BB
BURNISHED BRASS
7/8" DIA
3/4" PROJ



K4218-WN
WEATHERED NICKEL
7/8" DIA
3/4" PROJ



K4218-ORB
OIL RUBBED BRONZE
7/8" DIA
3/4" PROJ

MISC. KNOBS



K2302-AS
ANTIQUENICKEL
1 1/2" DIA
1 1/8" PROJ



K4418-BN
BRUSHED NICKEL
3/4" DIA
15/16" PROJ



K3217-DACM
DARK ANTIQUE
COPPER MACHINED
1 1/4" DIA
1 1/8" PROJ



K4438-WI
WROUGHT IRON
1 1/2" DIA
1 1/4" PROJ

BOW



K2040-BL
BLACK
1 1/4" DIA
1 1/4" PROJ



K2040-OB
OIL BRONZE
1 1/4" DIA
1 1/4" PROJ



K2040-SN
SATIN NICKEL
1 1/4" DIA
1 1/4" PROJ



K2335-OB
OIL BRONZE
1 1/4" DIA
1" PROJ



K2335-WN
WEATHERED NICKEL
1" DIA
3/4" PROJ



K2029-BL
BLACK
6 1/8" L
128MM C/C



K2029-LAP
LIGHT ANTIQUE PEWTER
6 1/8" L
128MM C/C



K2029-OB
OIL BRONZE
6 1/8" L
128MM C/C



K2029-SN
SATIN NICKEL
6 1/8" L
128MM C/C



K2029-ABMD
ANTIQUENICKEL
6 1/8" L
128MM C/C

AMERICANA



K88
LANCASTER ANTIQUE
1 1/4" DIA
3/4" PROJ



K88-B
PEWTER
1 1/4" DIA
3/4" PROJ



K282-AN
ANTIQUÉ NICKEL
2 1/8" DIA
7/8" PROJ



K330-AN
ANTIQUÉ NICKEL
7/8" DIA
1 1/8" PROJ



K87
LANCASTER ANTIQUE
4 1/8" L
3" C/C



K87-B
PEWTER
4 1/8" L
3" C/C



K87-SN
SATIN NICKEL
4 1/8" L
3" C/C

BELL IRON 1



K117-ABMD
ANTIQUÉ BRASS
MACHINED DULL
1 1/4" DIA
15/16" PROJ



K117-DACM
DARK BRUSHED
COPPER MACHINED
1 1/4" DIA
15/16" PROJ



K527-ABMD
ANTIQUÉ BRASS MACHINED DULL
4 1/2" L
96MM C/C



K117-DBAC
DARK BRUSHED
ANTIQUÉ COPPER
1 1/4" DIA
15/16" PROJ



K117-SIM
PEWTER
1 1/4" DIA
15/16" PROJ



K527-DACM
DARK BRUSHED COPPER MACHINED
4 1/2" L
96MM C/C



K527-DBAC
DARK BRUSHED ANTIQUÉ COPPER
4 1/2" L
96MM C/C



K527-SIM
PEWTER
4 1/2" L
96MM C/C

BELL IRON 2



K6303-RG
ROSE GOLD
1 3/8" DIA
1" PROJ



K6303-ABMD
ANTIQUÉ BRASS
MACHINED DULL
1 3/8" DIA
1" PROJ



K6303-DMAC
DARK MACHINED
ANTIQUÉ COPPER
1 3/8" DIA
1" PROJ



K6373-ABMD
ANTIQUÉ BRASS MACHINED DULL
4 1/2" L • 96MM C/C



K6303-MB
MATTE BLACK
1 3/8" DIA
1" PROJ



K6303-DACM
DARK BRUSHED
COPPER MACHINED
1 3/8" DIA • 1" PROJ



K6303-SIM
PEWTER
1 3/8" DIA
1" PROJ



K6373-DMAC
DARK MACHINED ANTIQUÉ COPPER
4 1/2" L • 96MM C/C



K6373-DACM
DARK BRUSHED COPPER MACHINED
4 1/2" L • 96MM C/C



K6373-RG
ROSE GOLD
4 1/2" L • 96MM C/C



K6373-MB
MATTE BLACK
4 1/2" L • 96MM C/C



K6373-SIM
PEWTER
4 1/2" L • 96MM C/C



H-Select

ADVANTAGE

H-SELECT



K107-AEM
ANTIQUE ENGLISH
1 1/4" DIA
1" PROJ



K107-ASM
ANTIQUE SILVER
MACHINED
1 1/4" DIA
1" PROJ



K107-DBAC
DARK BRUSHED
ANTIQUE COPPER
1 1/4" DIA
1" PROJ



K107-SN
SATIN NICKEL
1 1/4" DIA
1" PROJ



K3898-DBAC
DARK BRUSHED
ANTIQUE COPPER
1 1/8" DIA
1 1/4" PROJ



K3898-DBN
BRIGHT NICKEL
BRUSHED DULL
1 1/8" DIA
1 1/4" PROJ



K3208-DBAC
DARK BRUSHED
ANTIQUE COPPER
4 1/4" L
3" C/C



K3208-SN
SATIN NICKEL
4 1/4" L
3" C/C



K3108-DBAC
DARK BRUSHED
ANTIQUE COPPER
5 1/4" L
3" C/C



K516-ASM
ANTIQUE SILVER
MACHINED
5 1/2" L
3" C/C



K3108-SN
SATIN NICKEL
5 1/4" L
3" C/C



K516-SN
SATIN NICKEL
5 1/2" L
3" C/C



K516-AEM
ANTIQUE ENGLISH
5 1/2" L
3" C/C



K516-DBAC
DARK BRUSHED
ANTIQUE COPPER
5 1/2" L
3" C/C



K3899-DBN
BRIGHT NICKEL
BRUSHED DULL
5 1/4" L
3" C/C



K3899-DBAC
DARK BRUSHED
ANTIQUE COPPER
5 1/4" L
3" C/C

BOUNTIFUL



K6102-ORB
OIL-RUBBED BRONZE
1 1/4" DIA
1 1/8" PROJ



K6102-SN
SATIN NICKEL
1 1/4" DIA
1 1/8" PROJ



K6765-ORB
OIL-RUBBED BRONZE
5" L
3" C/C



K6765-SN
SATIN NICKEL
5" L
3" C/C

H-Select

BASKET WEAVE



K3062-ORB
OIL-RUBBED BRONZE
1 1/4" DIA
1" PROJ



K3062-SN
SATIN NICKEL
1 1/4" DIA
1" PROJ



K3062-SI
PEWTER
1 1/4" DIA
1" PROJ



K3063-ORB
OIL-RUBBED BRONZE
4 3/4" L
3" C/C



K3063-SN
SATIN NICKEL
4 3/4" L
3" C/C



K3063-SI
PEWTER
4 3/4" L
3" C/C

COUNTRY TIME



K6060-DBAC
DARK BRUSHED
ANTIQUÉ COPPER
1 1/4" DIA
1 3/8" PROJ



K6060-DBN
BRIGHT NICKEL
BRUSHED DULL
1 1/4" DIA
1 3/8" PROJ



Z117-DACM
DARK BRUSHED
COPPER MACHINED
1 1/4" DIA
1" PROJ



Z117-DBN
BRIGHT NICKEL
BRUSHED DULL
1 1/4" DIA
1" PROJ



Z117-SIM
PEWTER
1 1/4" DIA
1" PROJ



K260-DBAC
DARK BRUSHED ANTIQUÉ COPPER
3 3/4" L
3" C/C



K260-DBN
BRIGHT NICKEL BRUSHED DULL
3 3/4" L
3" C/C

HARVEST



K6464-DBAC
DARK BRUSHED
ANTIQUÉ COPPER
1 1/4" DIA
1 1/8" PROJ



K6464-SN
SATIN NICKEL
1 1/4" DIA
1 1/8" PROJ



K6465-DBAC
DARK BRUSHED ANTIQUÉ
COPPER
5 5/8" L
3" C/C



K6465-SN
SATIN NICKEL
5 5/8" L
3" C/C

FLAIR



K196-ACM
ANTIQUE COPPER MACHINED
2 1/4" L
1 1/4" C/C



K196-DBAC
DARK BRUSHED ANTIQUE COPPER
2 1/4" L
1 1/4" C/C



K195-ACM
ANTIQUE COPPER MACHINED
4 7/8" L
96MM C/C



K195-DBAC
DARK BRUSHED ANTIQUE COPPER
4 7/8" L
96MM C/C

H-SELECT

DELGADO



K519-ABSB
ANTIQUE BRUSHED
SATIN BRASS
1 1/2" L
1 1/4" PROJ



K519-DBAC
DARK BRUSHED
ANTIQUE COPPER
1 1/2" L
1 1/4" PROJ



K519-DBN
BRIGHT NICKEL
BRUSHED DULL
1 1/2" L
1 1/4" PROJ



K519-96ABSB
ANTIQUE BRUSHED SATIN BRASS
4 1/4" L
96MM C/C



K519-96DBAC
DARK BRUSHED ANTIQUE COPPER
4 1/4" L
96MM C/C

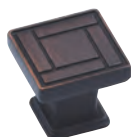


K519-96DBN
BRIGHT NICKEL BRUSHED DULL
4 1/4" L
96MM C/C

ROCHESTER



K155-ABSB
ANTIQUE BRUSHED
SATIN BRASS
1 1/8" DIA
15/16" PROJ



K155-DBAC
DARK BRUSHED
ANTIQUE COPPER
1 1/8" DIA
15/16" PROJ



K155-DBN
BRIGHT NICKEL
BRUSHED DULL
1 1/8" DIA
15/16" PROJ



K155-SN
SATIN NICKEL
1 1/8" DIA
15/16" PROJ



K155-96ABSB
ANTIQUE BRUSHED SATIN BRASS
4 1/4" L
96MM C/C



K155-96DBAC
DARK BRUSHED ANTIQUE
COPPER
4 1/4" L 96MM C/C



K155-96DBN
BRIGHT NICKEL BRUSHED
DULL
4 1/4" L
96MM C/C



K155-96SN
SATIN NICKEL
4 1/4" L 96MM C/C

H-Select

BALANCE



K2980-AB
ANTIQUE ENGLISH
1 1/4" DIA
1 1/8" PROJ



K2980-DACM
DARK BRUSHED
COPPER MACHINED
1 1/4" DIA
1 1/8" PROJ



K2980-SN
SATIN NICKEL
1 1/4" DIA
1 1/8" PROJ



K2980-DBAC
DARK BRUSHED
ANTIQUE COPPER
1 1/4" DIA
1 1/8" PROJ



K2980-ORB
OIL-RUBBED
BRONZE
1 1/4" DIA
1 1/8" PROJ



K2981-AB
ANTIQUE ENGLISH
3 3/4" L
3" C/C



K2981-DACM
DARK BRUSHED COPPER MACHINED
3 3/4" L
3" C/C



K2981-DBAC
DARK BRUSHED ANTIQUE COPPER
3 3/4" L
3" C/C



K2981-SN
SATIN NICKEL
3 3/4" L
3" C/C



K2981-ORB
OIL-RUBBED BRONZE
3 3/4" L
3" C/C

CLARK

ZINC DIE CAST



K801-B
PEWTER
1 1/8" DIA
1 1/8" PROJ



K800-SN
SATIN NICKEL
1 1/8" DIA
1 1/8" PROJ



K802-AE
ANTIQUE ENGLISH
1 1/8" DIA
1 1/8" PROJ



K803-BI
BLACK IRON
1 1/8" DIA
1 1/8" PROJ



K810-MB
MATTE BLACK
1 1/8" DIA
1 1/8" PROJ



K804-B
PEWTER
3 3/4" L
3" C/C



K805-SN
SATIN NICKEL
3 3/4" L
3" C/C



K806-AE
ANTIQUE ENGLISH
3 3/4" L
3" C/C



K807-BI
BLACK IRON
3 3/4" L
3" C/C



K811-MB
MATTE BLACK
3 3/4" L
3" C/C

BAR PULLS

H-SELECT



K1001
BRUSHED NICKEL 1 9/16" L
1 3/8" PROJ



K1000
BRUSHED NICKEL
4 1/2" L
76MM C/C



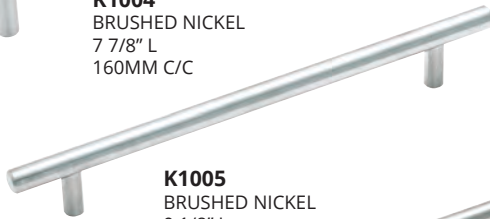
K1002
BRUSHED NICKEL
5 5/16" L
96MM C/C



K1003
BRUSHED NICKEL
6 5/8" L
128MM C/C



K1004
BRUSHED NICKEL
7 7/8" L
160MM C/C



K1005
BRUSHED NICKEL
9 1/8" L
192MM C/C



K1006
BRUSHED NICKEL
10 3/8" L
224MM C/C



K1007
BRUSHED NICKEL
11 5/8" L
256MM C/C



K1008
BRUSHED NICKEL
12 7/8" L
288MM C/C



K1009
BRUSHED NICKEL
14 3/16" L
320MM C/C



K1010
BRUSHED NICKEL
15 7/16" L
352MM C/C

H-Select

SLEEK & MODERN



K1216-SN
SATIN NICKEL
7/8" DIA
1" PROJ



K426-SN
SATIN NICKEL
7/8" DIA
1" PROJ



K26-SN
SATIN NICKEL
1" DIA
15/16" PROJ



K8026-SN
SATIN NICKEL
1 3/4" L
3/4" PROJ



K515-SN
SATIN NICKEL
1 1/8" DIA
1" PROJ



D2753-SN
SATIN NICKEL
1 5/16" L
1 1/8" PROJ



K790-SN
SATIN NICKEL
1" DIA
1" PROJ



Z259-BL
BLACK
3 3/8" L
3" C/C



Z259-SN
SATIN NICKEL
3 3/8" L
3" C/C



K400-SN
SATIN NICKEL
4" L
3" C/C



K475-SN
SATIN NICKEL
4 3/4" L
96MM C/C



K3489-SN
SATIN NICKEL
4 1/2" L
3" C/C



K3489-MB
MATTE BLACK
4 1/2" L
3" C/C



K272-BL
BLACK
4 5/8" L
96MM C/C



K4690-SN
SATIN NICKEL
4 3/4" L
96MM C/C



K272-SN
SATIN NICKEL
4 5/8" L
96MM C/C



K961-DSN
SATIN NICKEL
4 3/4" L
3" CC



K2017-BL
BLACK
5" L
96MM C/C



K2017-SN
SATIN NICKEL
5" L
96MM C/C



K4655-SN
SATIN NICKEL
6 1/4" L
5" C/C



K4655-BLK
BLACK
6 1/4" L
5" C/C



K4655-AB
ANTIQUE ENGLISH
6 1/4" L
5" C/C



K5319-SN
SATIN NICKEL
14 1/8" L
12 1/2" C/C

H-SELECT



H-Select

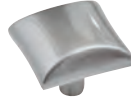
GLENDALE



K525-DBAC
DARK BRUSHED ANTIQUE
COPPER
1 1/16" SQ
1" PROJ



K525-DMAC
DARK MACHINED ANTIQUE
COPPER
1 1/16" SQ
1" PROJ



K525-SN
SATIN NICKEL
1 1/16" SQ
1" PROJ



K525-96DBAC
DARK BRUSHED
ANTIQUÉ COPPER
5" L
96MM C/C



K525-96DMAC
DARK MACHINED
ANTIQUÉ COPPER
5" L
96MM C/C



K525-96SN
SATIN NICKEL
5" L
96MM C/C

H-SELECT

KINGSPORT



K150-LP
LANCASTER ANTIQUE
2 7/8" X 4 1/4"
3" C/C

WHEAT



DRAWER BAIL PULL
K200-LP
LANCASTER ANTIQUE
2 5/8" X 4 1/2"
3" C/C



KNOB
K204-LP
LANCASTER ANTIQUE
1 1/4" DIA
1 1/4" PROJ



BAR HANDLE
K205-LP
LANCASTER ANTIQUE
4 1/4" L
3" C/C

OLD ENGLISH



K152-AE
ANTIQUÉ ENGLISH
4 3/4" L
3" C/C



K706-AE
ANTIQUÉ ENGLISH
4 7/8" L
3" C/C



K707-AE
ANTIQUÉ ENGLISH
4 1/4" L
2 1/2" C/C

LAFAYETTE



K417-ABSB
ANTIQUE BRUSHED SATIN BRASS
1 3/8" DIA
1 1/4" PROJ



K417-DBAC
DARK BRUSHED ANTIQUE COPPER
1 3/8" DIA
1 1/4" PROJ



K417-DBN
BRIGHT NICKEL BRUSHED DULL
1 3/8" DIA
1 1/4" PROJ



K517-ABSB
ANTIQUE BRUSHED SATIN BRASS
1 3/8" DIA
1 1/4" PROJ



K517-DBAC
DARK BRUSHED ANTIQUE COPPER
1 3/8" DIA
1 1/4" PROJ



K517-DBN
BRIGHT NICKEL BRUSHED DULL
1 3/8" DIA
1 1/4" PROJ



K317-96ABSB
ANTIQUE BRUSHED SATIN BRASS
4 3/8" L
96MM C/C



K317-96DBAC
DARK BRUSHED ANTIQUE COPPER
4 3/8" L
96MM C/C



K317-96DBN
BRIGHT NICKEL BRUSHED DULL
4 3/8" L
96MM C/C

RICHELIEU



KNOB
K147-AE
ANDOVER ANTIQUE
1 3/8" L
1 1/8" PROJ



BACKPLATE
K105-AE
ANDOVER ANTIQUE
1" X 4 1/8"

ANTIQUE ENGLISH



A76209-AE
ANTIQUE ENGLISH
1 1/8" DIA
1" PROJ



D89-AE
ANTIQUE ENGLISH
3/4" DIA
5/8" PROJ



D89-BL
BLACK
3/4" DIA
5/8" PROJ



K208-AE
ANTIQUE ENGLISH
1 1/8" DIA
3/4" PROJ



K157-AE
ANTIQUE ENGLISH
4 3/4" L
3" C/C



K703-AE
ANTIQUE ENGLISH
5 1/2" L



K763-AE
ANTIQUE ENGLISH
5 3/8" L
3" C/C



K3208-AE
ANTIQUE ENGLISH
4 1/4" L
3" C/C



K156-AE
ANTIQUE ENGLISH
4 1/2" L
3" C/C



H-Select

CHIPPENDALE

H-SELECT



K1461-AE
SOLID BRASS WITH ANTIQUE
ENGLISH FINISH
2 1/4" X 3 3/16"
2" C/C



K1461-PB
SOLID BRASS WITH POLISHED
BRASS FINISH
2 1/4" X 3 3/16"
2" C/C



K1462-AE
SOLID BRASS WITH ANTIQUE
ENGLISH FINISH
2 3/4" X 3 3/4"
2 1/2" C/C



K1462-PB
SOLID BRASS WITH POLISHED
BRASS FINISH
2 3/4" X 3 3/4"
2 1/2" C/C



K1464-AE
SOLID BRASS WITH ANTIQUE
ENGLISH FINISH
2 1/4" X 3 1/8"



K1463-AE
SOLID BRASS WITH ANTIQUE
ENGLISH FINISH
3 3/8" X 4 1/2"
3" C/C



K1463-PB
SOLID BRASS WITH POLISHED
BRASS FINISH
3 3/8" X 4 1/2"
3" C/C



K1464-PB
SOLID BRASS WITH POLISHED
BRASS FINISH
2 1/4" X 3 1/8"

NEW IMPORTS ANTIQUE ENGLISH



80176-AE
PULL
80177-AE
BACKPLATE
3" C/C
4 1/4" L



80223-AE
3" C/C
5 1/4" L



80859-AE
ANTIQUE ENGLISH
5" L
3" C/C



80644-AE
3" C/C
5" L

H-Select

STICKLEY MISSION II

ZINC DIE CAST



D924-AC
ANTIQUE COPPER
3 3/4" X 1"
3" C/C



D924-AE
ANTIQUE ENGLISH
3 3/4" X 1"
3" C/C



D924-BL
BLACK
3 3/4" X 1"
3" C/C



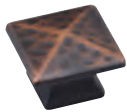
D925-AC
ANTIQUE COPPER
1 5/8" X 3 1/2"
3" C/C



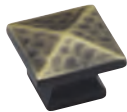
D925-AE
ANTIQUE ENGLISH
1 5/8" X 3 1/2"
3" C/C



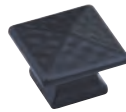
D925-BL
BLACK
1 5/8" X 3 1/2"
3" C/C



D942-AC
ANTIQUE COPPER
1 1/4" SQ
7/8" PROJ



D942-AE
ANTIQUE ENGLISH
1 1/4" SQ
7/8" PROJ



D942-BL
BLACK
1 1/4" SQ
7/8" PROJ

PERIOD MISSION



D552-AC
ANTIQUE COPPER
4 1/2" X 1 1/4"
3" C/C



D552-BL
BLACK
4 1/2" X 1 1/4"
3" C/C



D552-ORB
OIL-RUBBED BRONZE
4 1/2" X 1 1/4"
3" C/C



D553-AC
ANTIQUE COPPER
1 1/4" X 4 1/2"
3" C/C



D553-BL
BLACK
1 1/4" X 4 1/2"
3" C/C



D553-ORB
OIL-RUBBED BRONZE
1 1/4" X 4 1/2"
3" C/C

H-SELECT



TRADITIONAL MISSION

HEAVY DUTY BAILS



D527-A
BLACK
3 3/4" X 1"
2 1/4" C/C



D527-AE
ANTIQUE ENGLISH
3 3/4" X 1"
2 1/4" C/C



D527-B
PEWTER
3 3/4" X 1"
2 1/4" C/C



D528-A
BLACK
1 3/4" X 2 3/4"
1 1/8" C/C



D528-AE
ANTIQUE ENGLISH
1 3/4" X 2 3/4"
1 1/8" C/C



D528-B
PEWTER
1 3/4" X 2 3/4"
1 1/8" C/C



D529-A
BLACK
2" X 3 3/4"
3" C/C



D529-AE
ANTIQUE ENGLISH
2" X 3 3/4"
3" C/C



D529-B
PEWTER
2" X 3 3/4"
3" C/C

H-SELECT

REFINED MISSION



D523-BL
BLACK
1 1/8" DIA
1" PROJ



D521-BL
BLACK
4 1/16" L
3" C/C



D523-SN
SATIN NICKEL
1 1/8" DIA
1" PROJ



D521-SN
SATIN NICKEL
4 1/16" L
3" C/C



D523-W
WROUGHT IRON
1 1/8" DIA
1" PROJ



D521-W
WROUGHT IRON
4 1/16" L
3" C/C



HH4424-BL
BLACK
4" L
3" C/C



HH4425-BL
BLACK
1 1/4" DIA
1 1/8" PROJ

STICKLEY MISSION I

SOLID BRASS

PYRAMID HEAD SCREW (INCLUDED)



D526
BRASS
3 3/4" X 1 1/4"



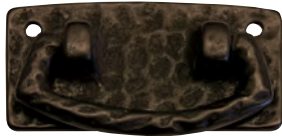
D526-BL
BLACK IRON
3 3/4" X 1 1/4"



D526-AE
ANTIQUE ENGLISH
3 3/4" X 1 1/4"



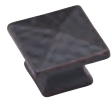
D525
BRASS
1 1/2" X 3 1/8"



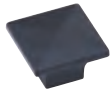
D525-BL
BLACK IRON
1 1/2" X 3 1/8"



D525-AE
ANTIQUE ENGLISH
1 1/2" X 3 1/8"



D542-AC
ANTIQUE COPPER
1 3/16" SQ
7/8" PROJ



D522-BL
BLACK
1 1/4" SQ
7/8" PROJ



D524-BI
BLACK CAST IRON
1 1/8" SQ
7/8" PROJ

HAMMERED MISSION



D550
ANTIQUE COPPER
1 3/4" X 3 1/2"
3" C/C



D550-A
BLACK
1 3/4" X 3 1/2"
3" C/C



D550-B
PEWTER
1 3/4" X 3 1/2"
3" C/C



D551
ANTIQUE COPPER
3 1/2" X 1 3/4"



D551-B
PEWTER
3 1/2" X 1 3/4"

ELEGANT ART



D560-AP
ANTIQUE PEWTER
1 1/4" X 3 3/4"
2 1/8" C/C



D561-AP
ANTIQUE PEWTER
3 3/4" X 1 1/4"

LIBERTY MISSION



K8005
BLACK IRON
1 1/2" X 4 7/8"
4 1/4" C/C



K8006
BLACK IRON
4 7/8" X 1 1/2"
4 1/4" C/C

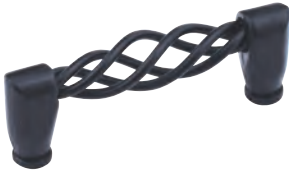
BIRDCAGE



K1350-DACM
DARK BRUSHED
COPPER MACHINED
2 1/4" L
1 3/8" PROJ



K1350-SIM
PEWTER
2 1/4" L
1 3/8" PROJ



K1300-DACM
DARK BRUSHED
COPPER MACHINED
3 1/2" L
3" C/C



K1300-SIM
PEWTER
3 1/2" L
3" C/C

IRON FORGE



K58-BL
MATTE BLACK
1 1/2" L
1 1/4" PROJ



K558-BL
MATTE BLACK
6" L
96MM C/C



K58-SI
SWEDISH IRON
1 1/2" L
1 1/4" PROJ



K558-SI
SWEDISH IRON
6" L
96MM C/C



K469-BL
MATTE BLACK
" L
MM C/C



K469-SIM
PEWTER
" L
MM C/C



K462-BL
MATTE BLACK
4 5/8" L
96MM C/C



K462-SIM
PEWTER
4 5/8" L
96MM C/C

OLD WORLD



K530-W
WINDOVER ANTIQUE
1 3/4" X 1 1/4"
1 1/4" PROJ



K089-W
WROUGHT IRON
4 3/4" L
3 5/8" C/C



K570-W
WROUGHT IRON
1" DIA
3/4" PROJ



K3248-W
WROUGHT IRON
1" DIA
7/8" PROJ



K1814-W
WROUGHT IRON
3/4" DIA
3/4" PROJ



K3222-W
WROUGHT IRON
1 7/8" X 1 7/16"
5/8" PROJ

RUSTIC



K3272-DACM
DARK BRUSHED
COPPER MACHINED
1 3/16" L
1 1/4" PROJ



K3031-DACM
DARK BRUSHED COPPER MACHINED
2" DIA
1 1/8" PROJ



K3273-DACM
DARK BRUSHED
COPPER MACHINED
4 1/2" L
96MM C/C



K4240-96-BL
BLACK
4 1/2" L
96MM C/C



K4240-128-BL
BLACK
5 3/4" L
128MM C/C



BHIM8900-5-BL
BLACK
6 1/4" L
5" C/C



BHIM8900-12-BL
BLACK
13" L
11 15/16" C/C

H-SELECT

TRANQUIL



K5302-AB
ANTIQUÉ BRASS/ WHITE
1 1/4" DIA
1" PROJ



K5302-AB-O
ANTIQUÉ BRASS/ OAK
1 1/4" DIA
1" PROJ



K5302-PB
POLISHED BRASS/ WHITE
1 1/4" DIA
1" PROJ



K5302-PB-O
POLISHED BRASS/ OAK
1 1/4" DIA
1" PROJ



P226
OATMEAL
1 1/4" DIA
7/8" PROJ



P220
WHITE
1" DIA
1" PROJ



P225
WHITE
1 1/4" DIA
7/8" PROJ



K5312-AB
ANTIQUÉ BRASS/ WHITE
5" L
3" C/C



K5312-AB-O
ANTIQUÉ BRASS/ OAK
5" L
3" C/C



K5312-PB
POLISHED BRASS/ WHITE
5" L
3" C/C



K5312-PB-O
POLISHED BRASS/ OAK
5" L
3" C/C



H-Select

PALISADE



K3211-PB
BRASS PLATED
4 7/8" L
3" C/C



K3211-SN
SATIN NICKEL
4 7/8" L
3" C/C



K2910-SN
SATIN NICKEL
4 7/8" L
3" C/C



K235
BRASS PLATED
4 7/8" L
3" C/C



6184-SN
SATIN NICKEL
4 7/8" L
3" C/C



6184-PB
BRASS PLATED
4 7/8" L
3" C/C

H-SELECT

WILLOW



K329-LP
LANCASTER ANTIQUE
3" X 4"
3" C/C



K8018-LP
LANCASTER ANTIQUE
1 7/8" X 1 1/2"



K321-LP
LANCASTER ANTIQUE
1 1/8" L
1" PROJ



BACKPLATE
K326-LP
LANCASTER ANTIQUE
1" X 5 1/2"

SOLID BRASS



K6641-SN
SATIN NICKEL
3/4" DIA
3/4" PROJ



K6640
POLISHED BRASS
5/8" DIA
5/8" PROJ



K6641
POLISHED BRASS
3/4" DIA
3/4" PROJ



K6641-A
BLACK
3/4" DIA
3/4" PROJ



MOCK KEY
K1884
POLISHED BRASS
1 1/8" L
1" PROJ



K1908
POLISHED BRASS
4" X 4"
3" C/C



K15
POLISHED BRASS
4" L
3" C/C



K38
POLISHED BRASS
3/4" X 5 1/4"



BACKPLATE
K39
POLISHED BRASS
7/8" X 6 3/4"

MOCK KEY
K1884
POLISHED BRASS
1 1/8" L
1" PROJ



- COMES WITH INSERTS
- END GRAIN



KR15-OAK
OAK
KR15-C
CHERRY
KR15-M
MAPLE
KR15-W
WALNUT
1 1/16" DIA
1 1/16" PROJ



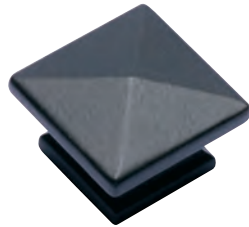
KR15-BL
BLACK PAINT
1 1/16" DIA
1 1/16" PROJ

MISSION

- COMES WITH INSERTS
- USE 8/32 BOLTS



K49-D
OAK
1 3/4" SQ



K49-B
OAK
1 1/4" SQ
K49-BC
CHERRY
1 1/4" SQ
K52-B
WALNUT
1 1/4" SQ
K53-BL
BLACK
1 1/4" SQ

PREMIUM MISSION

- COMES WITH INSERTS
- USE 8/32 BOLTS



K50-B
OAK
1 1/4" SQ
K51-B
CHERRY
1 1/4" SQ
K54-B
MAPLE
1 1/4" SQ



K50-C
OAK
1 1/2" SQ
K51-C
CHERRY
1 1/2" SQ
K54-C
MAPLE
1 1/2" SQ



K49-H
OAK
3" C/C

WOOD KNOBS I

- COMES WITH INSERTS
- FACE GRAIN
- USE 8/32 BOLTS



K40-A
OAK
1" DIA

K45-A
CHERRY
1" DIA

K41-A
BEECH
1" DIA

K46-A
WALNUT
1" DIA



K40-B
OAK
1 1/4" DIA

K41-B
BEECH
1 1/4" DIA

K44-B
HICKORY
1 1/4" DIA

K45-B
CHERRY
1 1/4" DIA

K46-B
WALNUT
1 1/4" DIA

K55-B
MAPLE
1 1/4" DIA

K56-B
QTR. SAWN W. OAK
1 1/4" DIA

K57-B
GRAY ELM
1 1/4" DIA



K40-C
OAK
1 1/2" DIA

K41-C
BEECH
1 1/2" DIA

K45-C
CHERRY
1 1/2" DIA

K46-C
WALNUT
1 1/2" DIA

K55-C
MAPLE
1 1/2" DIA

K56-C
QTR. SAWN W. OAK
1 1/2" DIA

H-SELECT

WOOD KNOBS II

- COMES WITH INSERTS
- FACE GRAIN



OVAL SHAPED WOOD KNOB

K114-M
MAPLE
1 7/8" X 1 1/2"
1 1/16" PROJ

K114-O
OAK
1 7/8" X 1 1/2"
1 1/16" PROJ

WOOD KNOBS IV



K4275
OAK
1 3/8" DIA

K4375
WALNUT
1 3/8" DIA



K4277
OAK
1 3/4" DIA

K4377
WALNUT
1 3/4" DIA



K4278
OAK
2" DIA

K4378
WALNUT
2" DIA



BBW1
OAK
5 1/2" C/C, 7" W X 1 3/8" H



BBW8
OAK
3 3/4" C/C, 4 1/2" W X 7/8" H



BBW2
OAK
3 1/2" C/C, 5" W X 1 3/8" H



BBW9
OAK
3 3/4" C/C, 4 1/4" W X 1 3/4" H
BBW9-A
CHERRY
3 3/4" C/C, 4 1/4" W X 1 3/4" H



BBW4
OAK
5 1/2" C/C, 7" W X 1 3/8" H



BBW12
OAK
3" C/C, 5 1/2" W



BBW5
OAK
3 3/4" C/C, 5" W X 1 3/8" H



BBW15
OAK
5" C/C, 7 1/4" W

BBW5-A
CHERRY
3 3/4" C/C, 5" W X 1 3/8" H

AMERICAN DINER

AVAILABLE FINISHES



P2140-SN
Small Knob
1" Dia.



P2142-SN
Large Knob
1 3/8" Dia.



P2143-SN
3" C/C



P2141-SN
96MM C/C

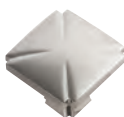


P2144-SN
3" & 96MM C/C

NOTE: P2144 is not available in VB Finish.

BRIDGES

AVAILABLE FINISHES



P3230-SN
1 5/32" SQ
1" PROJ



P3231-SN
3" C/C, 3 5/8" L



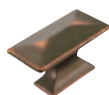
P3232-SN
96MM C/C, 4 7/16" L

BUNGALOW

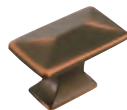
AVAILABLE FINISHES



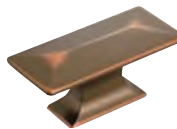
P2153-OBH
3" & 96MM C/C



P2150-OBH
Small Knob
1 1/4" L



P2151-OBH
Medium Knob
1 3/4" L



P2152-OBH
Large Knob
2 5/16" L

CHARLESTON BLACKSMITH

AVAILABLE FINISHES



P1311-RI
Knob
1 1/2" Dia.



P1312-RI
Knob
1 1/4" Dia.



P1321-RI
3" C/C
3 3/4" L



PA1322-RI
3" C/C, 4 3/8" L



PA1323-RI
3" C/C, 4 1/2" L

CRAFTSMAN

AVAILABLE FINISHES



CH WOA OBH BI



P2174-WOA
96MM C/C



P2172-WOA
Square Knob
1 1/4" SQ



P2170-WOA
Round Knob
1 1/4" Dia.



P2171-WOA
3" C/C



P2173-WOA
96MM C/C

CREST

AVAILABLE FINISHES



SN CH



H076127-CH
Square Knob
1 1/4" Dia.



H076128-CH
Round Knob
1 1/4" Dia.



H076129-CH
3" C/C
3 1/2" L



H076130-CH
96MM C/C
4" L



H076131-CH
128MM C/C
5 9/16" L



H076132-CH
160MM C/C
6 13/16" L



H076133-CH
192MM C/C
8 1/16" L



H076134-CH
224MM C/C
9 5/16" L

H076135-CH
12" C/C
12 1/2" L



EURO CONTEMPORARY

AVAILABLE FINISHES

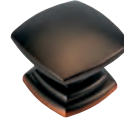


SN OBH



P2164-OBH
4" C/C
7" L

P2165-OBH
128MM C/C
9" L



P2163-OBH
Square knob
1 1/2" SQ

FORGE

AVAILABLE FINISHES



SN CH BGB CP VB BI



H076698-BGB
Round Knob
1 3/8" Dia.

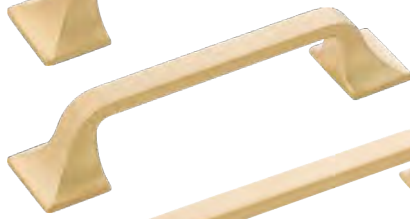


H076699-BGB
Square Knob
1 7/16" Dia.

BELWITH



H076700-BGB
3" C/C
4 3/4" L



H076701-BGB
96MM C/C
5 1/16" L



H076702-BGB
128MM C/C
6 5/16" L



H076704-BGB
192MM C/C
7 9/16" L



H076703-BGB
160MM C/C
7 5/8" L



H076705-BGB
224MM C/C
10 1/8" L



H076706-BGB
12" C/C
13 3/8" L

GREENWICH

AVAILABLE FINISHES



14 SS WOA



P3372-SS
Knob
1 11/16" Dia.



P3370-SS
96MM C/C
4 1/4" L



P3371-SS
128MM C/C
6 3/8" L



P3041-SS
224MM C/C
10" L



P3374-SS
12" C/C
13 1/4" L



P3375-SS
18" C/C
19 1/4" L

BELWITH

KNOBS

AVAILABLE FINISHES



SN MB



P2712-MB
Small Knob
1" Dia.



PA1218-MB
Large Knob
1 1/4" Dia.



PA1217-MB
Small Knob
1" Dia.

NOTE: P2712 is only available in MB Finish.

LUNA

AVAILABLE FINISHES



SN MB VB



P3448-VB
3" C/C
4 1/8" L



MANCHESTER

AVAILABLE FINISHES



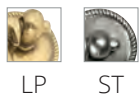
P2014-RI
2 1/8" L X 1 1/2" W



P2023-RI
96MM C/C
4 1/8" L

MANOR HOUSE

AVAILABLE FINISHES



MOCK KEY
P321-ST
1" PROJ



P329-ST
3" C/C



P8049-ST
3" C/C, 4" L



BACKPLATE
P326-ST
5 1/2" L X 1" W

NOTE: P321, P326, and P329 are not available in DAC Finish.

BELWITH

METROPOLIS

AVAILABLE FINISHES



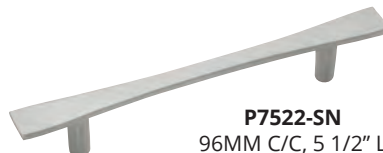
P2922-SN
96MM C/C



P2921-SN
2 9/16" C/C



PA0221-SN
96MM C/C, 4 3/4" L



P7522-SN
96MM C/C, 5 1/2" L



P3221-SN
128MM C/C, 6 3/8" L



P7523-SN
Oblong Knob
1 5/8" L



PA0213-SN
Small Knob
1" Dia.

NOTE: PA0221, P3221, P7522 and P7523 are only available in SN Finish.

MOUNTAIN LODGE

AVAILABLE FINISHES



P3062-WOA
Square Knob
1 1/4" SQ



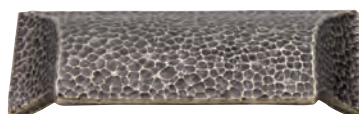
P3063-WOA
Round Knob
1 1/4" Dia.



P3061-WOA
Round Knob
1 1/4" Dia.



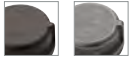
P3060-WOA
3" C/C



P3064-WOA
96MM C/C

PIPELINE

AVAILABLE FINISHES



VB BNV



HH076013-BNV
3" C/C, 3 3/4" L



HH076011-BNV
96mm C/C, 4 1/2" L



HH076012-BNV
128mm C/C, 5 3/4" L



HH075010-BNV
160mm C/C, 7" L



HH075028-BNV
1 1/4" Dia.

RALEIGH

AVAILABLE FINISHES



PN SN WOA OBH



P3111-WOA
5" C/C, 5 3/4" L

REFINED RUSTIC

AVAILABLE FINISHES



RI BL



P3002-BL
1 1/4" Dia.



P3003-BL
1 1/2" Dia.



P3001-BL
3" C/C, 4 3/4" L



P3000-BL
96MM C/C, 5 1/2" L



P3004-BL
3" & 96MM C/C, 5 1/2" L

ROCHESTER

AVAILABLE FINISHES



PN SN OBH

ITEM	1+	25+	100+
P3112	\$6.60	\$6.00	\$5.20
P3114	\$5.84	\$5.31	\$4.60



P3112-SN
96 MM C/C, 4 1/4" L



P3114-SN
96 MM C/C, 4 1/8" L

SOMERSET

AVAILABLE FINISHES



SN BNV DAC

ITEM	1+	25+	100+
74554	\$3.61	\$3.29	\$2.85

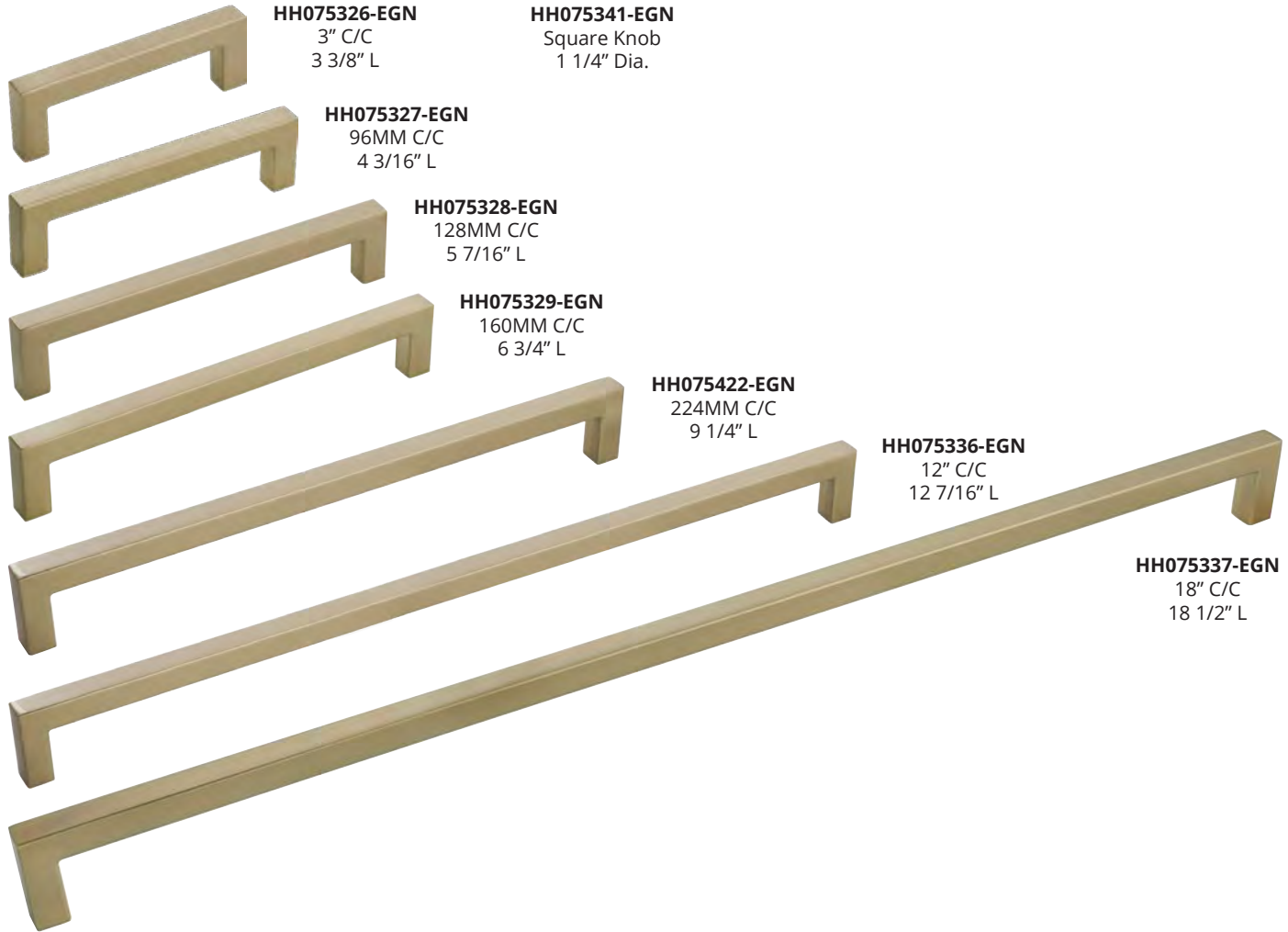


74554-DAC
1 1/8" SQ



SKYLIGHT

AVAILABLE FINISHES



HH075326-EGN
3" C/C
3 3/8" L

HH075341-EGN
Square Knob
1 1/4" Dia.

HH075327-EGN
96MM C/C
4 3/16" L

HH075328-EGN
128MM C/C
5 7/16" L

HH075329-EGN
160MM C/C
6 3/4" L

HH075422-EGN
224MM C/C
9 1/4" L

HH075336-EGN
12" C/C
12 7/16" L

HH075337-EGN
18" C/C
18 1/2" L

BELWITH

STUDIO

AVAILABLE FINISHES



P3010-OBH
3" C/C

P3014-OBH
Small Knob
1" SQ

P3011-OBH
96MM C/C

P3015-OBH
Large Knob
1 1/4" SQ

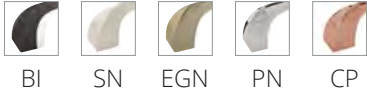
P3013-OBH
3" & 96MM C/C

NOTE: P3014 is only available in PN, SN, and OBH Finishes.



TWIST

AVAILABLE FINISHES



H076015-CP
3" C/C
3 5/8" L

H076014-CP
1 1/4" Dia.



H076016-CP
96mm C/C
4 7/16" L



H076017-CP
128mm C/C
5 11/16" L



H076018-CP
160mm C/C
6 15/16" L



H076019-CP
192mm C/C
8 1/4" L



H076020-CP
224mm C/C
9 9/16" L

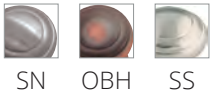


H076021-CP
12" C/C
12 11/16" L

BELWITH

ZEPHYR

AVAILABLE FINISHES



P2286-SN
Small Knob
1" Dia.



P2283-SN
Large Knob
1 1/4" Dia.



P2280-SN
3" C/C



P2281-SN
96MM C/C

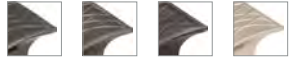


P2282-SN
128MM C/C



Aberdeen

AVAILABLE FINISHES



BNB BNBDL DBAC SN



535-BNB
Square Knob
1 1/4" Dia.



535L-BNB
Oblong Knob
1 1/2" Dia.



535-96-BNB
3 3/4" CC
5" Long



536-96-BNB
3 3/4" CC cup pull
5" Long



535-128-BNB
5" CC
6 1/4" Long



536-128-BNB
5" CC cup pull
6 1/4" Long



535-160-BNB
6 1/4" CC
5 5/8" Long

Alvar

AVAILABLE FINISHES



PC BNBDL DBAC SN NI SBZ MB



264-3-SBZ
3" CC
3 11/16" Long



264-96-SBZ
3 3/4" CC
5 7/16" Long



264-128-SBZ
5" CC
5 3/4" Long



264-160-SBZ
6 1/4" CC
7" Long



264-192-SBZ
7 9/16" CC
8 1/4" Long

Amsden*

AVAILABLE FINISHES



DP DMAC DBAC SN NI

***DISCONTINUED**
Limited Stock Available!



613-DMAC
Small Knob
1 7/16" Dia.



613L-DMAC
Large Knob
1 5/8" Dia.



613-96-DMAC
3 3/4" CC
4 3/8" Long



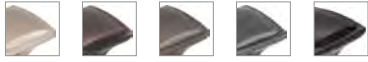
613-128-DMAC
5" CC
5 5/8" Long



613-160-DMAC
6 1/4" CC
6 7/8" Long

Annadale

AVAILABLE FINISHES



SN DBAC BNBDL DACM MB



435-DACM
Square knob
1 1/4" Dia.



435L-DACM
Oblong knob
1 1/2" Dia.



435-96-DACM
3 3/4" CC
5" Long



435-128-DACM
5" CC
6 1/4" Long



435-160-DACM
6 1/4" CC
7 5/8" Long



436-96-DACM
3 3/4" CC cup pull
5" Long



436-128-DACM
5" CC cup pull
6 1/4" Long

Anwick

AVAILABLE FINISHES



BNBDL DBAC NI SN



867-SN
Oblong Knob
1 3/8" Dia.



867L-SN
Square Knob
1 1/8" Dia.



867-3-SN
3" CC
4 5/16" Long



867-96-SN
3 3/4" CC
5 1/8" Long



867-128-SN
5" CC
6 3/8" Long



867-160-SN
6 1/4" CC
7 5/8" Long



867-228-SN
9" CC
10 5/16" Long



867-320-SN
12 5/8" CC
13 15/16" Long



Audrey

AVAILABLE FINISHES



MB BNBDL DBAC SBZ BG SN PC



278-96-SBZ
96MM CC
4 1/4" Long



278-128-SBZ
128MM CC
5 9/16" Long



278-160-SBZ
160MM CC
6 13/16" Long



278-192-SBZ
192MM CC
8 1/16" Long



278-224-SBZ
224MM CC
9 3/8" Long



278-12-SBZ
12" CC
12 5/8" Long



278-305-SBZ
305MM CC
12 9/16" Long



278-18-SBZ
18" CC
18 3/4" Long



278-SBZ
Square Knob
1 1/8" Dia.



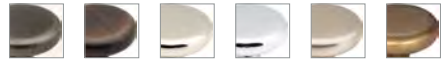
278L-SBZ
Square Knob
1 3/8" Dia.

JEFFREY ALEXANDER

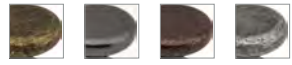


Belcastel 1

AVAILABLE FINISHES



BNBDL DBAC NI PC SN SBZ



ABM-D DACM DMAC SIM-D



MO6303-BNBDL

Knob
1 3/8" Dia.



MO6373-BNBDL

3 3/4" CC
4 5/8" Long



MO6373-128-BNBDL

5" CC
5 7/8" Long



MO6373-160-BNBDL

6 1/4" CC
7 1/8" Long



MO6373-12-BNBDL

12" CC appliance pull
13 1/4" Long



MO6373-18-BNBDL

18" CC appliance pull
19 1/4" Long

Bella

AVAILABLE FINISHES



ABSB BNBDL DBAC NI SN



818-ABSB
Round Knob
1 3/8" Dia.



818L-ABSB
T Knob
2 1/4" Dia.



818-96-ABSB
3 3/4" CC
4 3/8" Long



818-128-ABSB
5" CC
5 11/16" Long



818-160-ABSB
6 1/4" CC
6 15/16" Long



818-12-ABSB
12" CC appliance pull
13 1/8" Long

Bienville*

AVAILABLE FINISHES



ABSB BNBDL DBAC

***DISCONTINUED**
Limited Stock Available!



959-BNBDL
Knob
1 5/16" Dia.



959-96-BNBDL
3 3/4" CC
5 13/16" Long

Bordeaux

AVAILABLE FINISHES



AB BLK BNBDL DACM DBAC



NI ORB PC SIM SN



3990-ORB
Egg Knob
1 3/16" Dia.



8236-ORB
3 3/4" CC
5" Long

Boswell

AVAILABLE FINISHES



MB BNBDL DBAC PC SN



177-96
96MM CC
4 1/4" Long



177-128
128MM CC
5 9/16" Long



177-160
160MM CC
6 13/16" Long



177-192
192MM CC
8 1/16" Long



177-224
224MM CC
9 5/16" Long



678-BG
Wheeler

678-96-BG
Wheeler

Bremen 1

AVAILABLE FINISHES



BNBDL DBAC NI PC SN SBZ



ABM-D ABSB DACM DMAC SIM



117-DACM
Knob
1 1/4" Dia.



527-DACM
96MM CC
4 5/8" Long



527-128-DACM
5" CC
5 7/8" Long



527-160-DACM
6 1/4" CC
7 1/8" Long



527-12-DACM
12" CC appliance pull
13 1/16" Long

JEFFREY ALEXANDER

578-128-MB
Spencer



Bremen 2

AVAILABLE FINISHES



ABSB DACM DBAC DMAC NI SN



537-NI
3 3/4" CC
4 3/16" Long



537-128-NI
5" CC
5 7/16" Long



537-160-NI
6 1/4" CC
6 9/16" Long



537-12-NI
12" CC appliance
pull
12 11/16" Long



127-NI
Knob (barrel)
1 3/16" Dia.



137-NI
Knob (stacked)
1 1/4" Dia.

Cairo

AVAILABLE FINISHES



PC BNBDL DBAC SN



595-SN
Knob
1 1/4" Dia.



595-96-SN
3 3/4" CC
4 13/16" Long



595-128-SN
5" CC
6 1/16" Long

Callie

AVAILABLE FINISHES



BNBDL DBAC NI PC SN SBZ MB



839-3-PC
3" CC
4 3/16" Long



839-96-PC
3 3/4" CC
4 15/16" Long



839-128-PC
5" CC
6 1/4" Long



839-160-PC
60 1/4" CC
7 1/2" Long



Carmen

AVAILABLE FINISHES



775-96-SBZ
96MM CC
4 3/4" Long

775-128-SBZ
128MM CC
6" Long

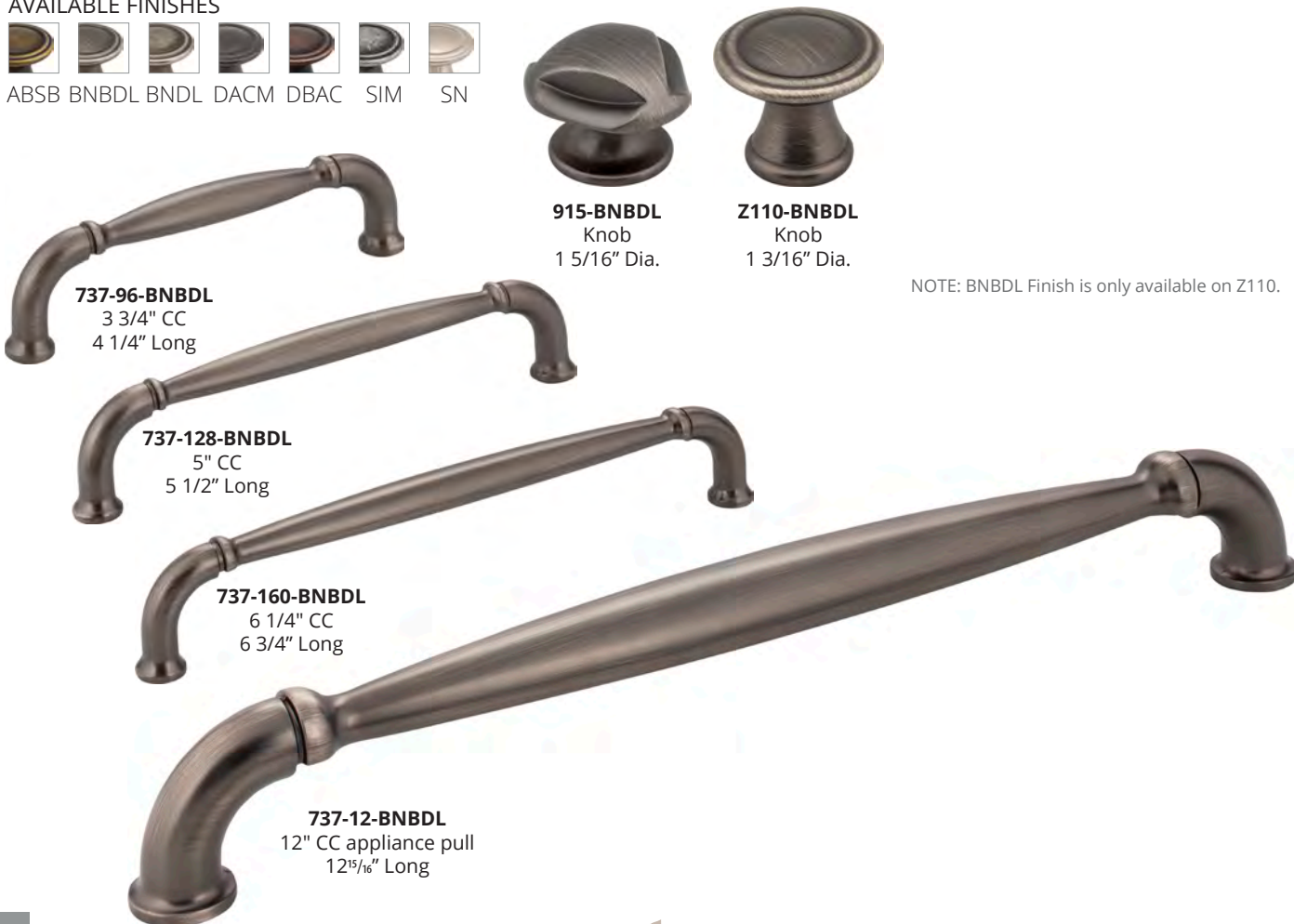
775-160-SBZ
160" CC
7 1/4" Long

775-SBZ
Knob
1 1/16" Dia.

775L-SBZ
"T" Knob
2" Long

Chesapeake

AVAILABLE FINISHES



737-96-BNBDL
3 3/4" CC
4 1/4" Long

737-128-BNBDL
5" CC
5 1/2" Long

737-160-BNBDL
6 1/4" CC
6 3/4" Long

737-12-BNBDL
12" CC appliance pull
12 15/16" Long

915-BNBDL
Knob
1 5/16" Dia.

Z110-BNBDL
Knob
1 3/16" Dia.

NOTE: BNBDL Finish is only available on Z110.

Cordova

AVAILABLE FINISHES



ABSB BNBL DBAC SN



0251-SN
Knob
1 3/8" Dia.



Z110-SN
Knob
1 3/16" Dia.



Z111-SN
Knob
1 1/4" Dia.



Z281-SN
3" CC
3 3/8" Long



Z280-SN
3 3/4" CC
4 3/16" Long



Z281-128-SN
5" CC
5 7/16" Long



Z281-160-SN
6 1/4" CC
6 11/16" Long



Z281-12-SN
12" CC appliance pull
12 3/4" Long



Z281-18-SN
18" CC appliance pull
18 3/4" Long

NOTE: 0251 is also available in BNBL Finish.
Z110 is also available in BNBL, DACM or SIN
Finishes.



Delgado

AVAILABLE FINISHES



BNBDL ABSB DBAC NI SN



519-96-NI
3 3/4" CC
4 1/4" Long



519-128-NI
5" CC
5 9/16" Long



519-160-NI
6 1/4" CC
6 13/16" Long



519-12-NI
12" CC appliance pull
12 1/2" Long



519-18-NI
18" CC appliance pull
18 1/2" Long



519-NI
Knob
1 9/16" Dia.

Delmar

AVAILABLE FINISHES



SN DBAC BNBDL DACM DP



585-96-DP
3 3/4" CC
4 1/2" Long



585-DP
Small knob
1" Dia.



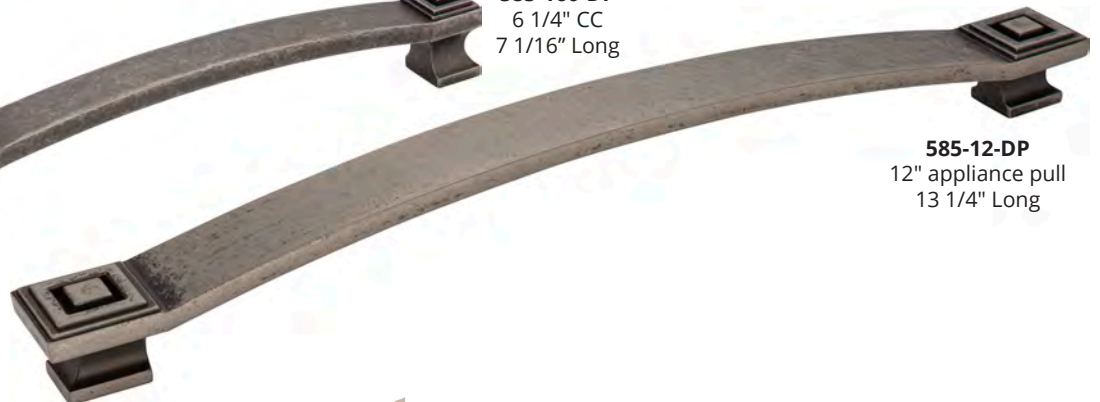
585L-DP
Large knob
1 1/4" Dia.



585-128-DP
5" CC
5 13/16" Long



585-160-DP
6 1/4" CC
7 1/16" Long



585-12-DP
12" appliance pull
13 1/4" Long

Dominique

AVAILABLE FINISHES



845-BNBDL
Knob
1 1/8" Dia.



845T -BNBDL
Knob
2" Dia.



845TL -BNBDL
Knob
2 1/4" Dia.



845-96-BNBDL
3 3/4" CC
5 3/4" Long



845-128 -BNBDL
5" CC
7 1/16" Long



845-160 -BNBDL
6 1/4" CC
8 5/16" Long



845-192 -BNBDL
7 1/2" CC
9 9/16" Long



845-305 -BNBDL
12" CC
14" Long



845-12 -BNBDL
12" CC
15" Long



845-18 -BNBDL
18" CC
21" Long



Durham

AVAILABLE FINISHES



3980-DBAC
Knob
1 1/4" Dia.



Z290-3-DBAC
3" CC
3 3/8" Long



Z290-96-DBAC
3 3/4" CC
4 1/4" Long



Z290-128-DBAC
5" CC
5 1/2" Long



Z290-160-DBAC
6 1/4" CC
6 3/4" Long



Z290-12-DBAC
12" CC
13" Long

Duval*

AVAILABLE FINISHES



***DISCONTINUED**
Limited Stock Available!



343-BNBDL
Knob
1 1/4" Dia.



343-96-BNBDL
3 3/4" CC
4 1/2" Long



343-128-BNBDL
5" CC
5 13/16" Long



343-160-BNBDL
6 1/4" CC
7 1/16" Long

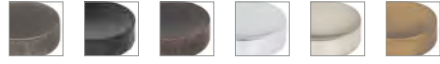


343-12-BNBDL
12" CC appliance pull
13 1/8" Long



Elara

AVAILABLE FINISHES



BNBDL MB DBAC PC SN SBZ



484-32-SBZ
32MM CC
2 1/16" Long



484-396-SBZ
3" or 96MM CC
4 9/16" Long



484-128160-SBZ
128MM or 160MM CC
7 1/8" Long



484-192224-SBZ
192MM or 224MM CC
9 5/8" Long



484-305-SBZ
305MM CC
12 13/16" Long



484-SBZ
Knob
1 1/4" Dia.

Ella

AVAILABLE FINISHES



NI DBAC SN PC BNBDL



165-96-BNBDL
3 3/4" CC
4 1/2" Long



165-BNBDL
Knob
1 1/4" Dia.



165-128-BNBDL
5" CC
5 13/16" Long



165-160-BNBDL
6 1/4" CC
7 1/16" Long

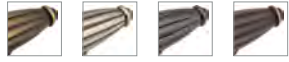


165-12-BNBDL
12" CC
13" Long



Glenmore

AVAILABLE FINISHES



ABSB BNMDL DACM DBAC



618-BNMDL
Small Knob
2 5/8" Dia.



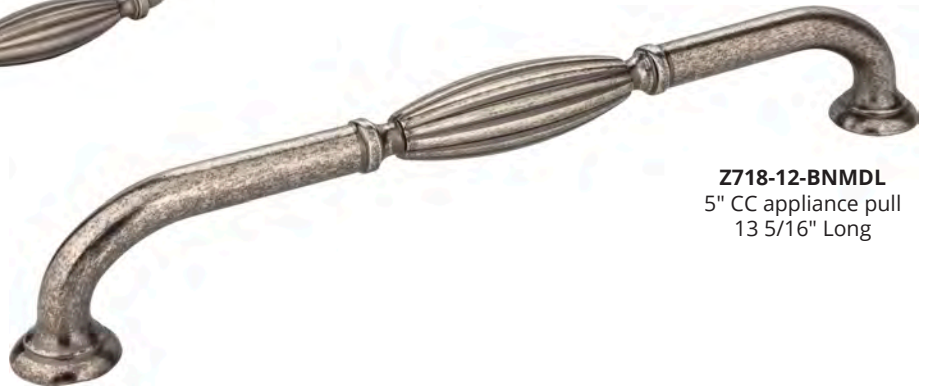
618L-BNMDL
Large Knob
2 15/16" Dia.



718-BNMDL
5" CC
5 3/4" Long



718-128-BNMDL
5" CC bail pull
5 15/16" Long



Z718-12-BNMDL
5" CC appliance pull
13 5/16" Long

Harlow



G110-DBAC
Small egg
1 1/4" Dia.



G120-PC
Small button
1 7/16" Dia.



G130-DBAC
Small sphere
1 1/16" Dia.



G110L-BNBDL
Large egg
1 5/8" Dia.



G120L-SN
Large button
1 3/4" Dia.



G130L-BNBDL
Large sphere
1 3/8" Dia.



G140-BNBDL
Small square
1" Dia.



G140L-SN
Large square
1 3/8" Dia.



G150-DBAC
Small faceted
1" Dia.



G150L-PC
Large faceted
1 1/4" Dia.

Hayworth

AVAILABLE FINISHES



NI PC SN MB



885-PC
Knob
1 1/8" Dia.



885L-PC
T Knob
2" Dia.



885-96-PC
3 3/4" CC
4 3/4" Long



885-128-PC
5" CC
6" Long



885-160-PC
6 1/4" CC
7 1/4" Long



885-192-PC
7 9/16" CC
8 1/2" Long



885-224-PC
8 13/16" CC
9 3/4" Long



885-305-PC
12" CC appliance pull
4 3/4" Long



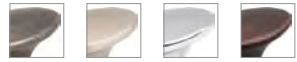
478-DBAC
Larkin

JEFFREY ALEXANDER



Hudson

AVAILABLE FINISHES



BNBDL SN PC DBAC



650-96-DBAC
3 3/4" CC
4 3/8" Long



650-128-DBAC
5" CC
5 5/8" Long



650-160-DBAC
6 1/4" CC
6 15/16" Long



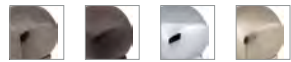
650-12-DBAC
12" CC appliance pull
13" Long



650-DBAC
Knob
1 7/8" Dia.

Katharine

AVAILABLE FINISHES



BNBDL DBAC PC SN



188-SN
Small Knob
7/8" Dia.



188L-SN
Large Knob
1" Dia.



188-96-SN
3 3/4" CC
4 3/8" Long



188-128-SN
5" CC
5 11/16" Long



188-160-SN
6 1/4" CC
6 15/16" Long

Key Grande

AVAILABLE FINISHES



MB MBBG BG MBSN SN



596-SN
3 3/4" CC
5 3/8" Long



5128-SN
5" CC
6 5/8" Long



5192-SN
7 9/16" CC
9 1/8" Long



5224-SN
8 13/16" CC
10 3/8" Long



5319-SN
12 5/8" CC
14 1/8" Long



5480-SN
18 7/8" CC
20 1/2" Long



5673-SN
26 1/2" CC
28 1/16" Long



5900-SN
35 7/16" CC
37" Long

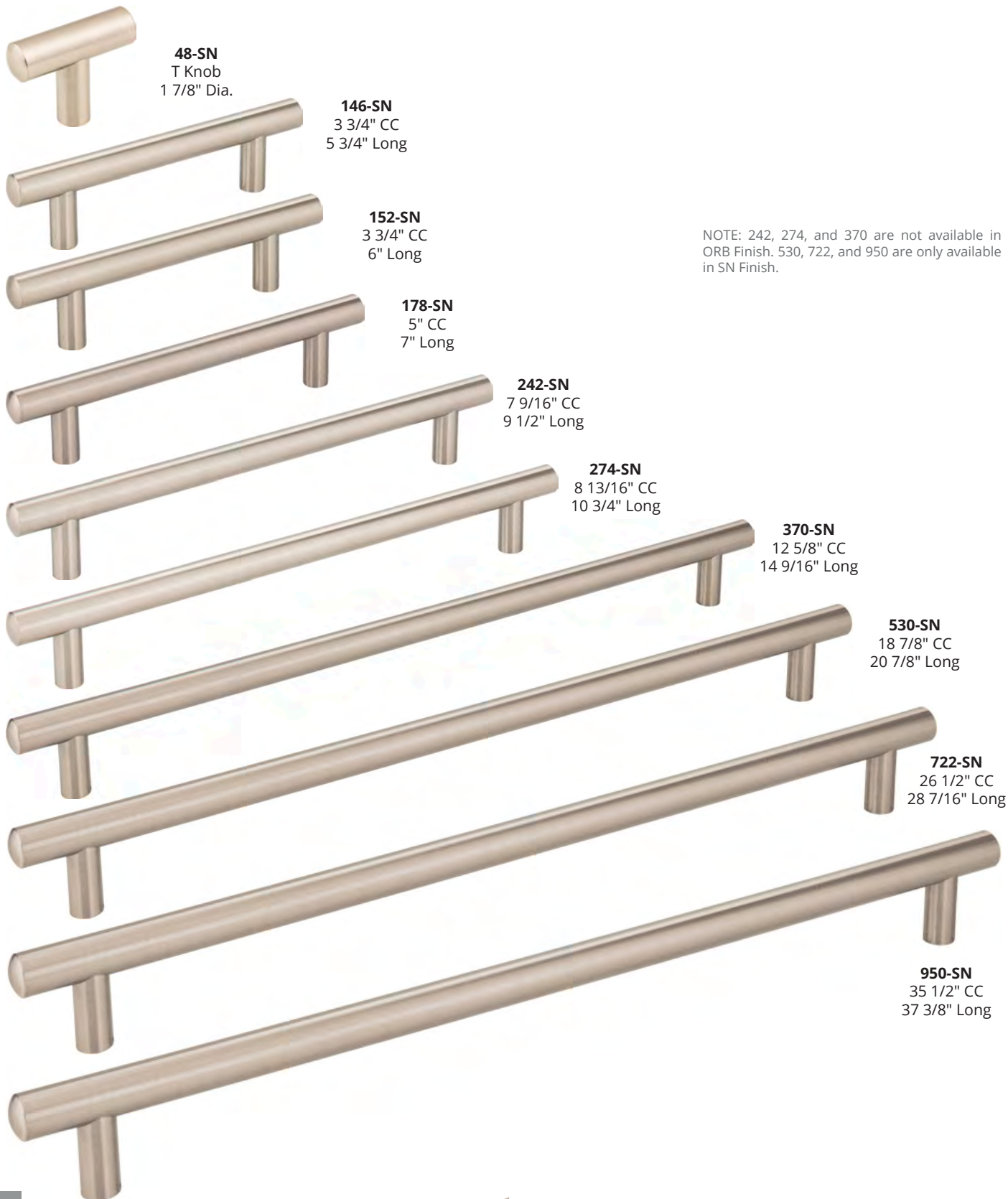
NOTE: 5480, 5673, and 5900 are only available in SN Finish.

JEFFREY ALEXANDER



Key West & Key Largo

AVAILABLE FINISHES



48-SN
T Knob
1 7/8" Dia.

146-SN
3 3/4" CC
5 3/4" Long

152-SN
3 3/4" CC
6" Long

178-SN
5" CC
7" Long

242-SN
7 9/16" CC
9 1/2" Long

274-SN
8 13/16" CC
10 3/4" Long

370-SN
12 5/8" CC
14 9/16" Long

530-SN
18 7/8" CC
20 7/8" Long

722-SN
26 1/2" CC
28 7/16" Long

950-SN
35 1/2" CC
37 3/8" Long

NOTE: 242, 274, and 370 are not available in ORB Finish. 530, 722, and 950 are only available in SN Finish.

Lafayette

AVAILABLE FINISHES



ABSB BNBDL DBAC SN



218-DBAC
Fleur-de-lis Knob
1 3/8" Dia.



317-DBAC
Circles Knob
1 3/8" Dia.



417-DBAC
Baroque Knob
1 3/8" Dia.



317-96-DBAC
3 3/4" CC
4 3/8" Long



317-128-DBAC
5" CC
5 5/8" Long



317-160-DBAC
6 1/4" CC
6 7/8" Long



317-12-DBAC
12" CC appliance pull
12 15/16" Long



445-SBZ
Marie

Larkin 1 & 2

AVAILABLE FINISHES



478-96-MBSN
96MM CC
6 1/8" Long



478-128-MBSN
128MM CC
7 3/8" Long



478-160-MBSN
160MM CC
8 11/16" Long



478-192-MBSN
192MM CC
9 15/16" Long



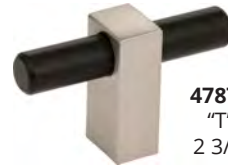
478-305-MBSN
305MM CC
14 3/8" Long



478-12-MBSN
12" CC appliance pull
14 3/8" Long



478-18-MBSN
18" CC appliance pull
20 3/8" Long



478T-MBSN
"T" Knob
2 3/8" Long

JEFFREY ALEXANDER

Lenoir

AVAILABLE FINISHES



Z117-ABSB
Knob
1 1/4" Dia.



8237-ABSB
3 3/4" CC
5" Long

Lexa

AVAILABLE FINISHES



BN BNBDL DBAC PC SN



259-BN
Knob
2" Dia.



259-96-BN
3 3/4" CC
4 3/16" Long



259-128-BN
5" CC
5 7/16" Long



259-160-BN
6 1/4" CC
6 11/16" Long



259-192-BN
7 9/16" CC
8" Long

Leyton

AVAILABLE FINISHES



BNBDL DBAC SN PC NI SBZ



286-96-SBZ
3 3/4" CC
5 1/8" Long



286-128-SBZ
5" CC
6 3/8" Long



286-160-SBZ
6 1/4" CC
7 11/16" Long



286-192-SBZ
7 9/16" CC
8 15/16" Long



286-224-SBZ
8 13/16" CC
10 3/16" Long



Lille

AVAILABLE FINISHES



ABSB BNBDL DACM DBAC SN



415S-DACM
Small Knob
1 1/4" Dia.



415-DACM
Large Knob
1 3/8" Dia.



415-96-DACM
3 3/4" CC
4 3/8" Long



415-96V-DACM
3 3/4" CC asymmetrical
4 3/4" Long



415-128-DACM
5" CC
5 5/8" Long



415-160-DACM
6 1/4" CC
6 7/8" Long



415-12-DACM
12" CC appliance pull
12 7/8" Long

JEFFREY ALEXANDER

Lyon

AVAILABLE FINISHES



AB BLK BNBDL DACM DBAC BG



NI ORB PC SIM SN SBZ



3991-PC
Egg Knob
1 9/16" Dia.



8233-PC
3" CC
4 15/16" Long



Marie

AVAILABLE FINISHES



MB DBAC BNBDL SBZ SN PC



445-BNBDL
Knob
1 1/4" Dia.



445-96-BNBDL
96MM CC
4 3/8" Long



445-128-BNBDL
128MM CC
5 5/8" Long



445-160-BNBDL
160MM CC
6 7/8" Long



445-192-BNBDL
192MM CC
8 3/16" Long



445-224-BNBDL
224MM CC
9 7/16" Long



445-305-BNBDL
305MM CC
12 11/16" Long



445-12-BNBDL
12" CC appliance pull
13" Long



445-18-BNBDL
18" CC appliance pull
19" Long

JEFFREY ALEXANDER



Marlo

AVAILABLE FINISHES



NI BNBDL DBAC PC SN



972S-SN
Small knob
7/8" Dia.



972-SN
Medium knob
1 1/8" Dia.



972L-SN
Large knob
1 1/4" Dia.



972-96-SN
3 3/4" CC
4 1/2" Long



972-128-SN
5" CC
5 13/16" Long



972-160-SN
6 1/4" CC
7 1/16" Long



972-224-SN
8 13/16" CC
9 3/4" Long



972-305-SN
12" CC
12 3/4" Long



972-12-SN
12" CC appliance pull
13" Long

Maybeck*

AVAILABLE FINISHES



BN BNBDL DBAC PC SN

***DISCONTINUED**
Limited Stock Available!



225-DBAC
Knob
1 11/16" Dia.



225-96-DBAC
3 3/4" CC
5 1/4" Long



225-128-DBAC
5" CC
6 3/8" Long



225-160-DBAC
6 1/4" CC
7 7/16" Long

Merrick

AVAILABLE FINISHES



PC BNBDL DBAC SN MB SBZ



549-96-SN
3 3/4" CC
4 3/16" Long



549-128-SN
5" CC
5 1/2" Long



549-160-SN
6 1/4" CC
6 3/4" Long



549-192-SN
7 9/16" CC
8" Long

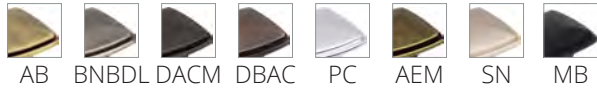


549-320-SN
12 5/8" CC
13 1/16" Long



Milan 1

AVAILABLE FINISHES



1091-SN
Knob
1 3/16" Dia.



1092-SN
3 3/4" CC
4 1/4" Long



1092-128-SN
5" CC
5 9/16" Long



1092-160-SN
6 1/4" CC
6 13/16" Long



1092-12-SN
12" CC
12 13/16" Long

Milan 2*

AVAILABLE FINISHES



***DISCONTINUED**
Limited Stock Available!



1093-AEM
Knob
1 3/16" Dia.



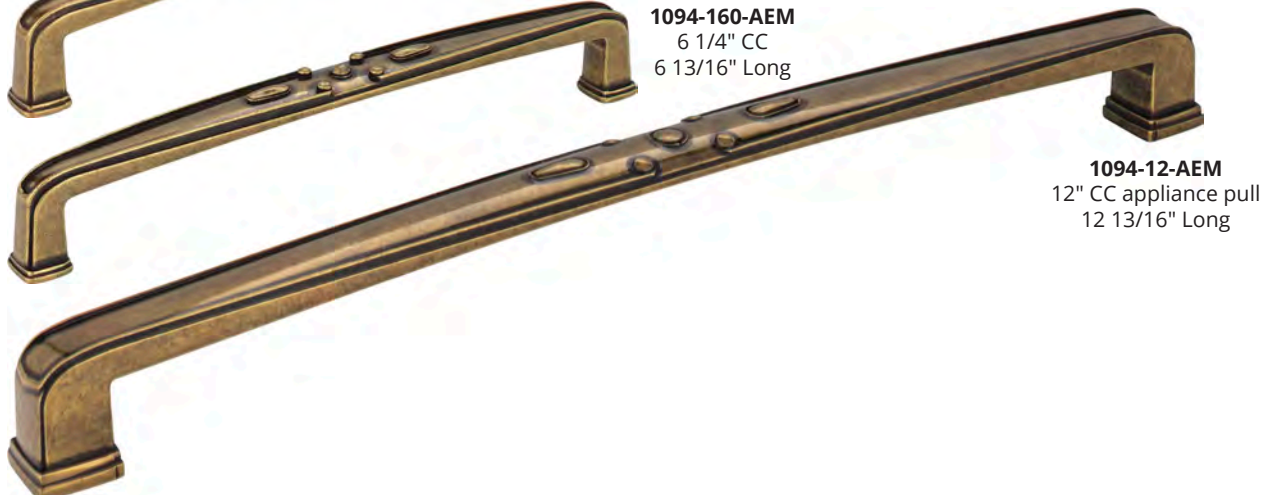
1094-AEM
3 3/4" CC
4 1/4" Long



1094-128-AEM
5" CC
5 9/16" Long



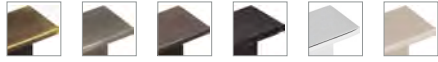
1094-160-AEM
6 1/4" CC
6 13/16" Long



1094-12-AEM
12" CC appliance pull
12 13/16" Long

Mirada

AVAILABLE FINISHES



ABSB BNBDL DBAC MB PC SN



81021-PC
5/8" CC Knob
1 9/16" Dia.



80152-96-PC
3 3/4" CC
5 9/16" Long



80152-128-PC
5" CC
6 13/16" Long



80152-160-PC
6 1/4" CC
8 1/16" Long

Montclair*

AVAILABLE FINISHES



SN

***DISCONTINUED**
Limited Stock Available!



935-SN
Knob
2" Dia.



935-96-SN
3 3/4" CC
5 5/8" Long



935-128-SN
5" CC
7 1/2" Long



935-160-SN
6 1/4" CC
8 3/4" Long



935-12-SN
12" CC appliance pull
16" Long

JEFFREY ALEXANDER



Philip

AVAILABLE FINISHES



MB BNBDL DBAC BG SBZ PC SN



767-SBZ
Knob
1 1/4" Dia.



767-96-SBZ
3 3/4" CC
5" Long



767-128-SBZ
5" CC
6 5/16" Long



767-160-SBZ
6 1/4" CC
7 9/16" Long

Loxley – New!

AVAILABLE FINISHES



BG BNBDL DBAC MB PC SBZ SN



329
Knob
1 1/4" Dia.



329L
Knob
1 1/2" Dia.



329-96-MB
3 3/4" CC
4 9/16" Long



329-128-MB
5 1/16" CC
5 7/8" Long



329-160-MB
6 5/16" CC
7 1/8" Long



329-192-MB
7 9/16" CC
8 7/16" Long



329-305-MB
12" CC
8 7/16" Long



329-12-MB
12" CC appliance pull
13 7/8" Long



329-18-MB
18" CC appliance pull
19 7/16" Long

Rae

AVAILABLE FINISHES



BNBDL DBAC NI PC SN



667-3-NI
3" CC
3 7/16" Long



667-96-NI
3 3/4" CC
4 3/16" Long



667-128-NI
5" CC
5 1/2" Long



667-160-NI
6 1/4" CC
6 3/4" Long



667-224-NI
8 13/16" CC
9 1/4" Long



667-305-NI
12" CC
12 9/16" Long



667-12-NI
12" CC appliance pull
12 13/16" Long



667-18-NI
18" CC appliance pull
18 13/16" Long



667S-NI
Small Knob
1 1/16" Dia.



667-NI
Knob
1 1/4" Dia.



667L-NI
Large Knob
1 3/8" Dia.

JEFFREY ALEXANDER

Regan

AVAILABLE FINISHES



DBAC SN PC BNBDL MB



847-96-BNBDL
3 3/4" CC
5 9/16" Long



847-128-BNBDL
5" CC
6 13/16" Long



847-160-BNBDL
6 1/4" CC
8 1/16" Long



Renzo

AVAILABLE FINISHES



MB BNBDL DBAC SBZ BG SN PC



141-96-BG
3 3/4" CC
4 5/8" Long



141-128-BG
5 1/16" CC
5 7/8" Long



141-160-BG
6 5/16" CC
7 1/8" Long



141-192-BG
7 9/16" CC
8 3/8" Long



141-305-BG
12" CC
12 7/8" Long



141-BG
Square Knob
1 1/4" Dia.



141L-BG
Square Knob
1 3/4" Dia.

JEFFREY ALEXANDER

Rhodes

AVAILABLE FINISHES



BNB BNBDL DACM DBAC SN



Z260-3-DACM
3" CC
3 3/4" Long



S6060-DACM
Knob & backplate
1 1/4" Dia.



Z261-96-DACM
3 3/4" CC
4 1/2" Long



B812-96R-DACM
3 3/4" CC
6" Long



Z261-128-DACM
5" CC
5 13/16" Long



Z260-12-DACM
12" CC appliance pull
13 1/4" Long



Richard

AVAILABLE FINISHES



MB BNBDL DBAC SBZ BG SN PC



171-DBAC
Knob
1 1/4" Dia.



171L-DBAC
Knob
1 3/4" Dia.



171-96-DBAC
96MM CC
4 3/8" Long



171-128-DBAC
128MM CC
5 5/8" Long



171-160-DBAC
160MM CC
6 7/8" Long



171-192-DBAC
192MM CC
8 1/8" Long



171-305-DBAC
305MM CC
12 5/8" Long



171-12-DBAC
12" CC appliance pull
12 13/16" Long



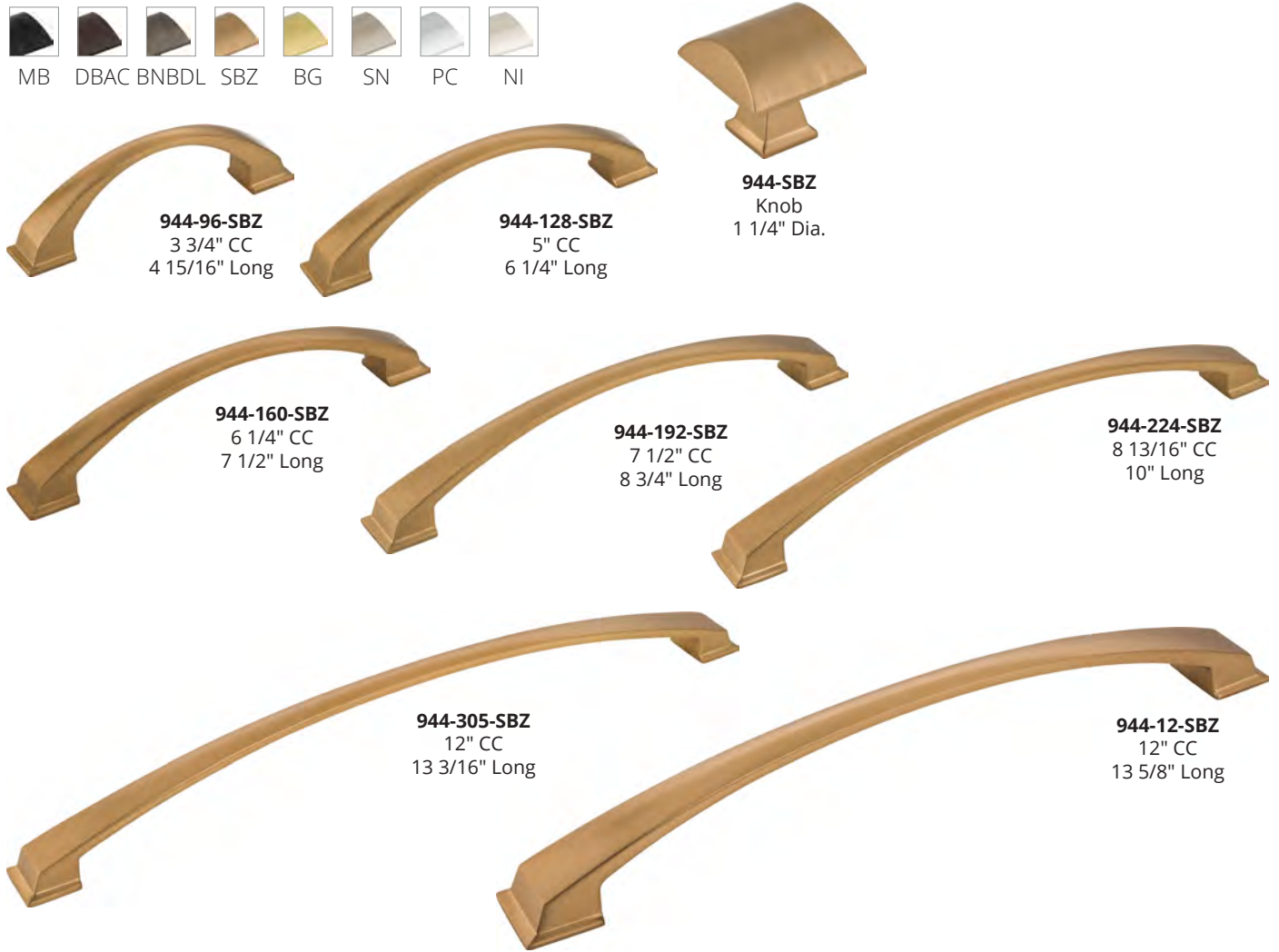
171-18-DBAC
18" CC appliance pull
18 13/16" Long

JEFFREY ALEXANDER



Roman

AVAILABLE FINISHES



944-96-SBZ
3 3/4" CC
4 15/16" Long

944-128-SBZ
5" CC
6 1/4" Long

944-SBZ
Knob
1 1/4" Dia.

944-160-SBZ
6 1/4" CC
7 1/2" Long

944-192-SBZ
7 1/2" CC
8 3/4" Long

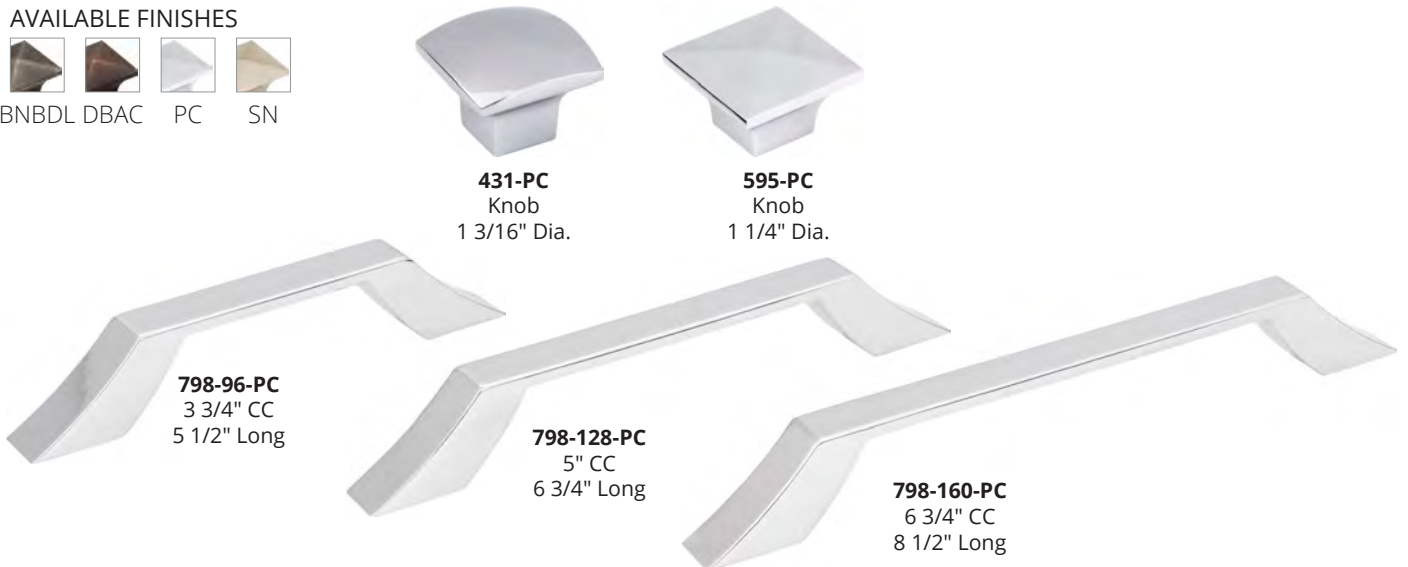
944-224-SBZ
8 13/16" CC
10" Long

944-305-SBZ
12" CC
13 3/16" Long

944-12-SBZ
12" CC
13 5/8" Long

Royce

AVAILABLE FINISHES



431-PC
Knob
1 3/16" Dia.

595-PC
Knob
1 1/4" Dia.

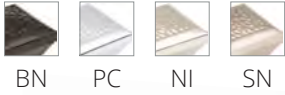
798-96-PC
3 3/4" CC
5 1/2" Long

798-128-PC
5" CC
6 3/4" Long

798-160-PC
6 3/4" CC
8 1/2" Long

Solana*

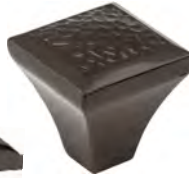
AVAILABLE FINISHES



BN PC NI SN



457-96-BN
3 3/4" CC
6" Long



457-BN
Knob
1 1/4" Dia.



457L-BN
Knob
2" Dia.

***DISCONTINUED**
Limited Stock Available!

Sonoma

AVAILABLE FINISHES



BNBDL DBAC MB PC SN



431-MB
Knob
1 3/16" Dia.



4128-MB
5" CC
6 5/16" Long



4160-MB
6 1/4" CC
8" Long



4192-MB
7 9/16" CC
9 5/8" Long



4288-MB
11 3/8" CC
14 7/16" Long

Spencer

AVAILABLE FINISHES



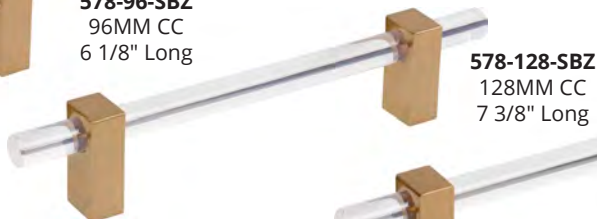
MB SBZ BG SN PC



578T-SBZ
"T" Knob
2 3/8" Long



578-96-SBZ
96MM CC
6 1/8" Long



578-128-SBZ
128MM CC
7 3/8" Long



578-160-SBZ
160MM CC
8 11/16" Long



Sullivan

AVAILABLE FINISHES



752-96-DBAC
96MM CC
4 1/2" Long

752-128-DBAC
128MM CC
5 13/16" Long

752-160-DBAC
160MM CC
7 1/16" Long

752-192-DBAC
192MM CC
8 15/16" Long

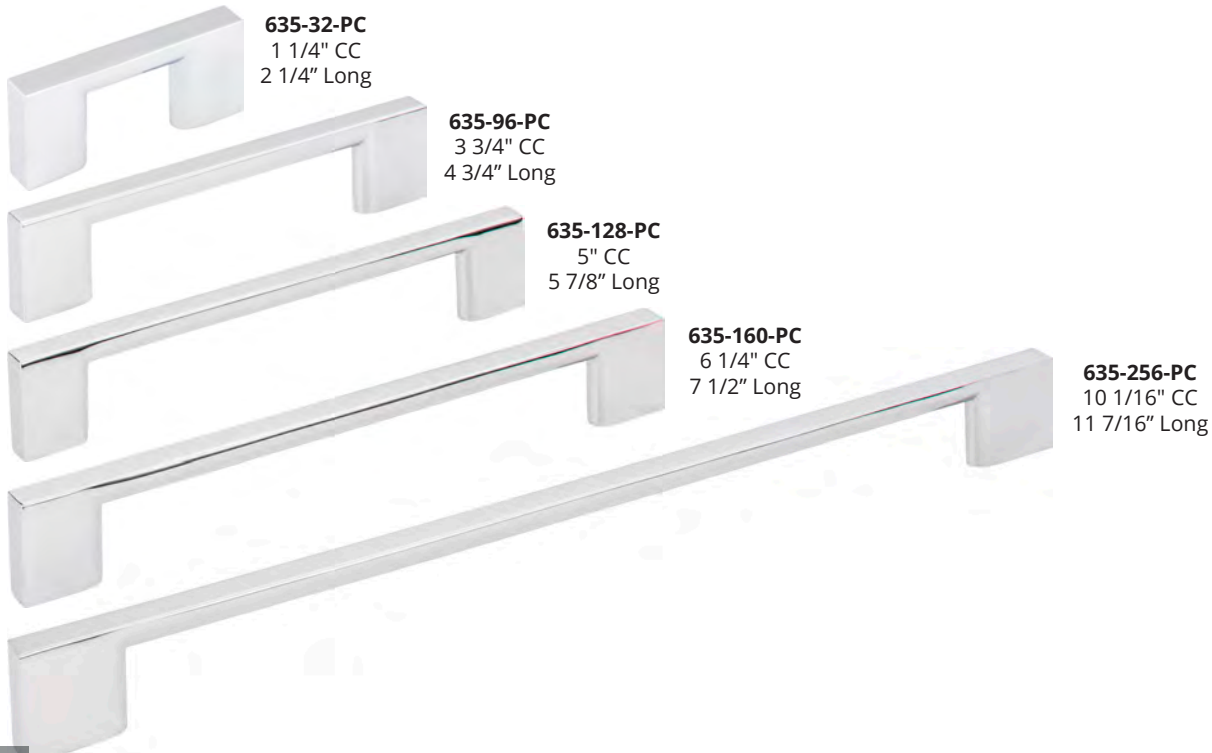
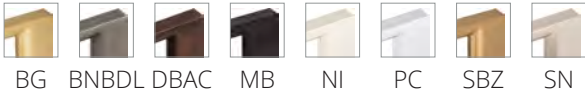
752-224-DBAC
224MM CC
9 9/16" Long



752-19-DBAC
19MM CC
1 1/4" Dia.

Sutton

AVAILABLE FINISHES



635-32-PC
1 1/4" CC
2 1/4" Long

635-96-PC
3 3/4" CC
4 3/4" Long

635-128-PC
5" CC
5 7/8" Long

635-160-PC
6 1/4" CC
7 1/2" Long

635-256-PC
10 1/16" CC
11 7/16" Long



Symphony

AVAILABLE FINISHES



SN BNBDL DACM DBAC ABSB



1976-ABSB
Knob
2" Dia.



1977S-ABSB
Knob
1 3/8" Dia.



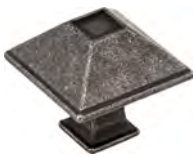
1977-ABSB
3 3/4" CC
4 9/16" Long

Tahoe

AVAILABLE FINISHES



BLK DMAC SIM



602S-SIM
Small knob
1 1/4" Dia.



602-SIM
Large knob
1 1/2" Dia.



602-96-SIM
3 3/4" CC
4 1/2" Long



602-128-SIM
5" CC
5 13/16" Long



602-12-SIM
12" CC
12 3/4" Long



775-128-SBZ
Carmen

Tiffany

AVAILABLE FINISHES



BG BNBDL DBAC NI PC SBZ SN



658-SBZ
Knob
1 1/4" Dia.



658-96-SBZ
3 3/4" CC
4 1/2" Long



658-128-SBZ
5" CC
5 13/16" Long



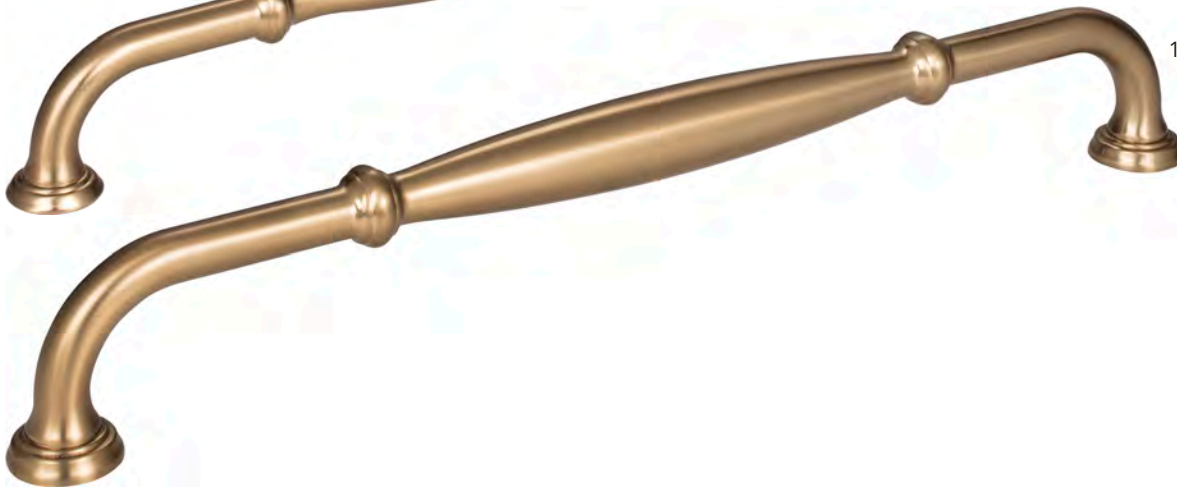
658-160-SBZ
6 1/4" CC
7 1/16" Long



658-192-SBZ
7 9/16" CC
8 3/8" Long



658-224-SBZ
8 13/16" CC
9 7/8" Long



658-12-SBZ
12" CC appliance pull
13" Long

JEFFREY ALEXANDER

Tuscany

AVAILABLE FINISHES



ABSB DACM DBAC SIM



749-96B-SIM
3 3/4" CC
4 1/16" Long

749-SIM
Knob
2 5/16" Dia.

749-128B-SIM
5" CC
5 5/16" Long

749-128-SIM
5" CC bail pull
5 5/16" Long

749-160-SIM
6 1/4" CC bail pull
7 3/16" Long

749-224-SIM
8 13/16" CC bail pull
9 3/4" Long

Wheeler

AVAILABLE FINISHES



MB DBAC BNBDL SBZ BG SN PC



678-96-MB
96MM CC
5" Long



678-MB
Knob
1 1/4" Dia.

678-128-MB
128MM CC
6 1/4" Long

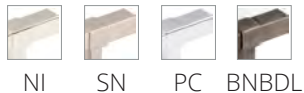
678-160-MB
160MM CC
7 1/2" Long

678-18-MB
18" CC appliance pull
20 1/4" Long



Zane

AVAILABLE FINISHES



293-96-BNBDL
3 3/4" CC
5 1/16" Long

293T-BNBDL
Knob
2" Dia.

293-128-BNBDL
5" CC
6 5/16" Long

293-160-BNBDL
6 1/4" CC
7 9/16" Long

293-192-BNBDL
7 9/16" CC
8 13/16" Long

293-224-BNBDL
8 13/16" CC
10 1/16" Long

293-305-BNBDL
12" CC
13 3/4" Long

Zurich*

AVAILABLE FINISHES



***DISCONTINUED**
Limited Stock Available!



I350-ABSB
Knob
2" Dia.

I300-ABSB
3" CC
3 7/16" Long

I350-128-ABSB
5" CC bail pull
5 15/16" Long

I350-160-ABSB
6 1/4" CC
7 3/16" Long

Aiden

AVAILABLE FINISHES



PC DBAC BNBDL SN



993-BNBDL
Knob
1 5/8" Proj.



993-3-BNBDL
3" CC
4 1/16" Long



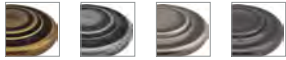
993-96-BNBDL
3 3/4" CC
4 13/16" Long



993-128-BNBDL
5 1/16" CC
6 1/8" Long

Arcadia

AVAILABLE FINISHES



AEM ASM BNBDL DACM



DBAC ORB PC SN



516-AEM
3" CC
5 1/2" Long



107-AEM
Knob
1 1/4" Dia.

Asher

AVAILABLE FINISHES



SN BNBDL DBAC PC BC MB



193-3-BC
3" CC
3 1/4" Long



193-96-BC
3 3/4" CC
4" Long



193-4-BC
4" CC
4 1/4" Long



193-128-BC
5" CC
5 1/4" Long



193-160-BC
6 1/4" CC
6 9/16" Long

Belfast

AVAILABLE FINISHES



BLK DN PC SN



308-128-DN
5" CC
5 1/2" Long

406-128-DN
5" CC
6 1/2" Long

745-128-DN
5" CC
5 1/2" Long

776-128-DN
5" CC
5 1/2" Long

976-128-DN
5" CC
6" Long

Brenton

AVAILABLE FINISHES



BC BNBDL DACM DBAC PC SN MB



239-BDBDL
Knob
1" Dia.

239-96-BNBDL
3 3/4" CC
4 5/16" Long

239-128-BNBDL
5" CC
5 9/16" Long

239-160-BNBDL
6 1/4" CC
6 13/16" Long

239-192-BNBDL
7 9/16" CC
8 1/16" Long

Calloway

AVAILABLE FINISHES



BNBDL DBAC PC SN



331-DBAC
Small Knob
1 1/8" Dia.

331L-DBAC
Large Knob
1 1/4" Dia.

351-DBAC
Small Knob
1 1/8" Dia.

351L-DBAC
Large Knob
1 1/4" Dia.



331-96-DBAC
3 3/4" CC
4 1/2" Long

351-96-DBAC
3 3/4" CC
4 7/16" Long

331-128-DBAC
5" CC
5 3/4" Long

351-128-DBAC
5" CC
5 11/16" Long



Capri

AVAILABLE FINISHES



412461-SN
Knob
1 1/8" Dia.



530142-SN
Knob
1" Dia.



530143-DN
Knob
1 1/4" Dia.



3211-SN
3" CC
4 7/8" Long



4656-SN
3" CC
3 3/8" Long



411689-DN
3 3/4" CC
4 3/8" Long



4690-SN
3 3/4" CC
4 1/2" Long



530144-DN
3 3/4" CC
5 1/8" Long



417572-DN
5" CC
4 1/2" Long



Z205-BB
5" CC
5 3/4" Long

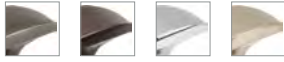


Z500-128-SN
5" CC
5 5/8" Long

NOTE: 412461, 530142, 3211, 4656, 4690 and Z500-128 are only available in SN Finish. 531043, 411689, 530144 and 417572 are only available in DN Finish. Z205 is only available in BB or BC Finishes.

Cosgrove

AVAILABLE FINISHES



BNBDL DBAC PC SN



382-BNBDL
Knob
1 1/2" Dia.

382-96-BNBDL
3 3/4" CC
6 1/2" Long

382-128-BNBDL
5" CC
7 3/4" Long

382-160-BNBDL
6 1/4" CC
9" Long

Cypress

AVAILABLE FINISHES



BNBDL DACM DBAC SN



Z118-DACM
Knob
1 1/4" Dia.

Z118-3-DACM
3" CC
3 3/8" Long

Z118-96-DACM
3 3/4" CC
4 1/8" Long

Drake

AVAILABLE FINISHES



BNBDL DACM DBAC PC SN



423-DBAC
Faceted Knob
1 1/4" Dia.

424-DBAC
Flat Top Knob
1 3/16" Dia.

423-3-DBAC
3" CC
4" Long

423-96-DBAC
3 3/4" CC
4 3/4" Long



Edgefield

AVAILABLE FINISHES



A500-125-BC
16mm CC tab pull
1.25" Long



A500-3-BC
60mm CC tab pull
3" Long



A500-4-BC
76mm CC tab pull
4" Long



A500-6-BC
127mm CC tab pull
6" Long



A500-8-BC
90mm CC tab pull (3 holes)
8" Long



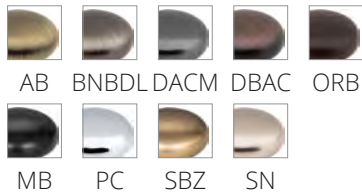
A500-10-BC
114mm CC tab pull (3 holes)
10" Long



A500-12-BC
90mm CC tab pull (4 holes)
12" Long

Florence

AVAILABLE FINISHES



2980-SBZ
Knob
1 1/4" Dia.



2981-SBZ
3" CC cup pull
3 11/16" Long

Gatsby

AVAILABLE FINISHES



BNBDL DACM DBAC PC SN MB



3940-PC
Knob
1 1/4" Dia.



3950-PC
Knob
1 3/16" Dia.



3960-PC
Knob
1 1/4" Dia.



3970-PC
Knob
1 1/8" Dia.



3108-PC
3" CC
5 1/4" Long



3208-PC
3" CC
4 1/4" Long



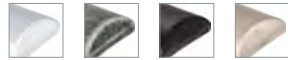
3308-PC
3" CC
4 1/2" Long

Glendale

AVAILABLE FINISHES



ABM-DBNBDL DBAC DMAC SBZ



PC SIM MB SN



525-96-SIM
3 3/4" CC
5" Long



525-SIM
Knob
1" Dia.

Gibson – New!

AVAILABLE FINISHES



MB BNBDL SBZ BG SN PC



105-96-SBZ
96MM CC
4 1/4" Long



105-128-SBZ
128MM CC
5 1/2" Long



105-160-SBZ
160MM CC
6 3/4" Long



105-192-SBZ
192MM CC
8" Long

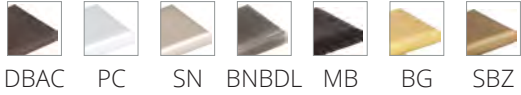


105-SBZ
Knob
1 1/4" Dia.



Hadly

AVAILABLE FINISHES



DBAC

PC

SN

BNBDL

MB

BG

SBZ



449-BNBDL
Knob
1" Dia.



449-3-BNBDL
3" CC
4" Long



449-96-BNBDL
96 mm CC
4 3/4" Long



449-128-BNBDL
5" CC
6 1/16" Long



449-160-BNBDL
6 1/4" CC
7 5/16" Long

Hammond

AVAILABLE FINISHES



BNBDL

DBAC

PC

SN

MB



525-SN
Knob
1" Dia.



937-3-SN
3" CC
4 7/8" Long



937-96-SN
3 3/4" CC
5 11/16" Long

Kenner

AVAILABLE FINISHES



PC BNBDL DBAC SN MB



3970-SN
Knob
1 1/8" Dia.

254-3-BNBDL
3" CC
5" Long

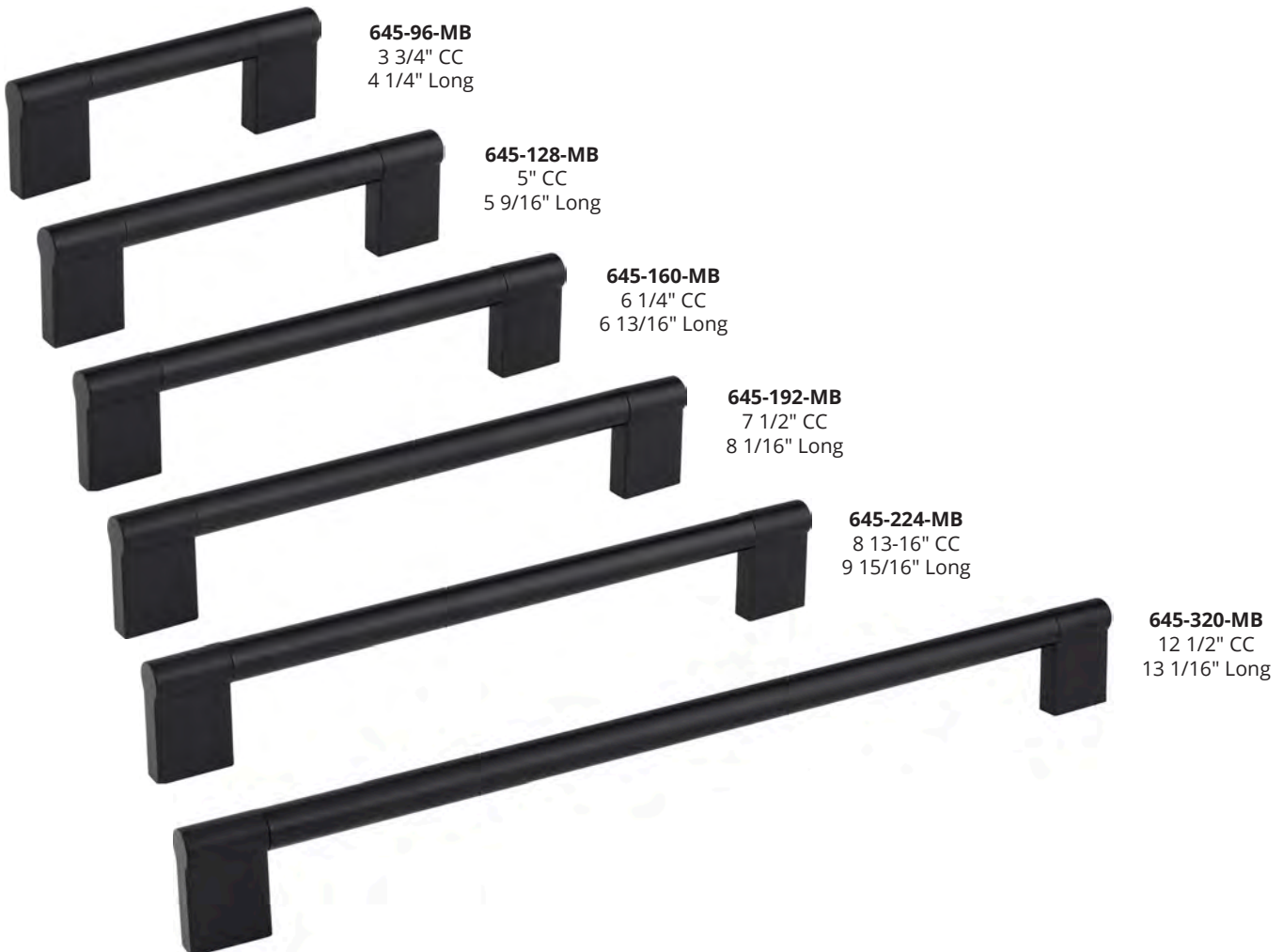
254-96-SN
3 3/4" CC
5 3/4" Long

Knox

AVAILABLE FINISHES



MB SN PC



645-96-MB
3 3/4" CC
4 1/4" Long

645-128-MB
5" CC
5 9/16" Long

645-160-MB
6 1/4" CC
6 13/16" Long

645-192-MB
7 1/2" CC
8 1/16" Long

645-224-MB
8 13/16" CC
9 15/16" Long

645-320-MB
12 1/2" CC
13 1/16" Long



Lindos

AVAILABLE FINISHES



BNBDL DBAC PC SN



Z115-BNBDL
Knob
1 1/4" Dia.



Z115L-BNBDL
Knob
1 3/8" Dia.



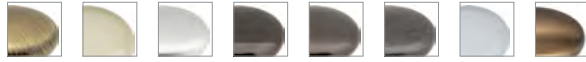
Z115-96-BNBDL
3 3/4" CC
4 3/8" Long



Z115-128-BNBDL
5" CC
5 9/16" Long

Madison

AVAILABLE FINISHES



AB ALM BC BN BNBDL DACM WH SBZ



DBAC MB ORB PB SB SN PC



3910-AB
Knob
1 3/16" Dia.



Z259-3-AB
3" CC
3 3/8" Long

Merryville

AVAILABLE FINISHES



SN PC BNBDL MB DBAC



897
Knob
1 1/8" Dia.



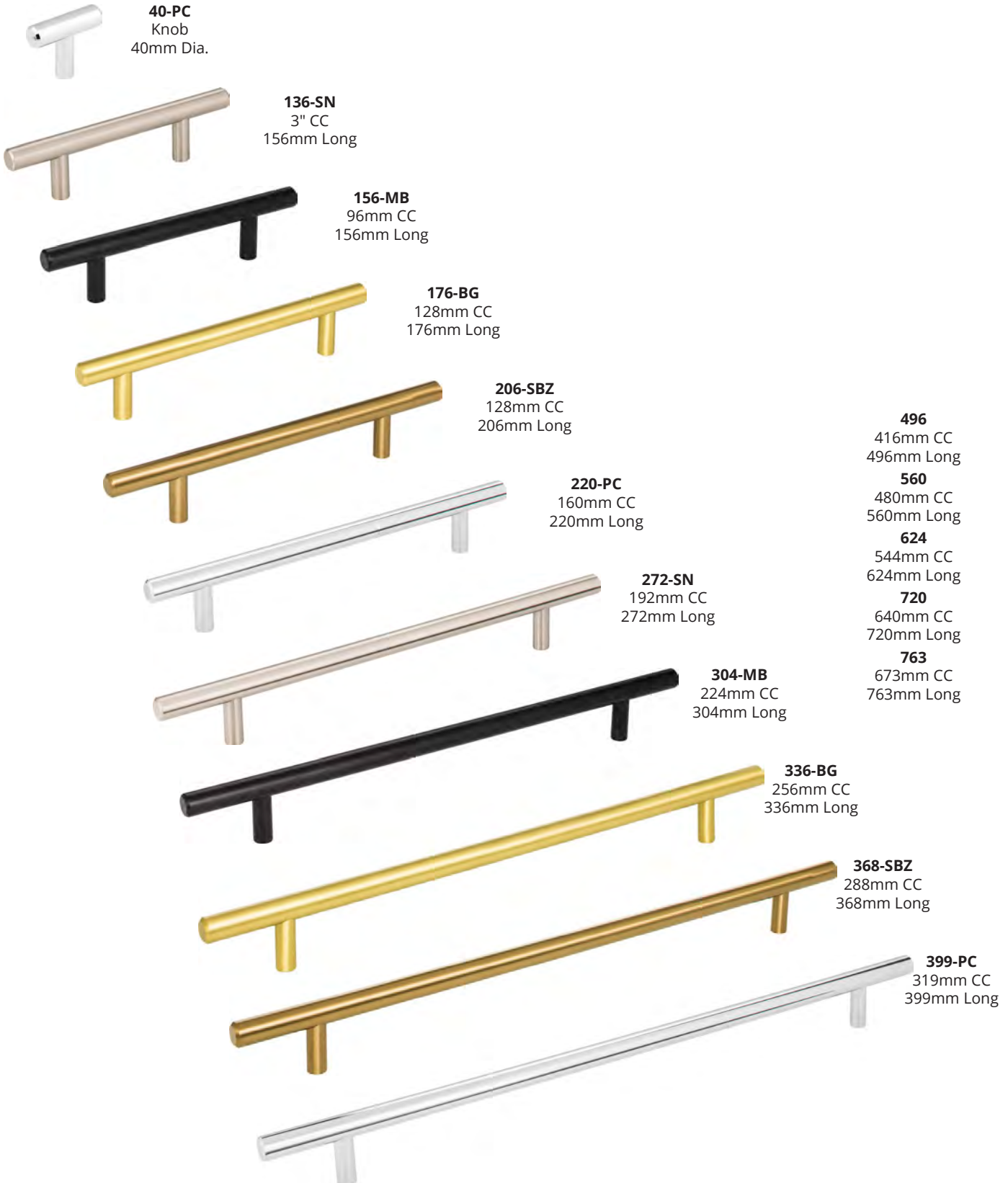
897L
Knob
1 1/4" Dia.



897-3-SN
3" CC
5 1/8" Long

Naples

AVAILABLE FINISHES



Naples

AVAILABLE FINISHES



39-SS
Knob
39mm Dia.



154-SS
96mm CC
154mm Long



174-SS
128mm CC
174mm Long



204-SS
128mm CC
204mm Long



270-SS
192mm CC
270mm Long



302-SS
224mm CC
302mm Long



334-SS
256mm CC
334mm Long



366-SS
288mm CC
366mm Long



397-SS
319mm CC
397mm Long

494-SS
416mm CC
494mm Long

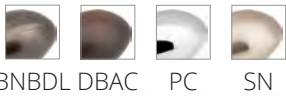
558-SS
480mm CC
558mm Long

622-SS
544mm CC
622mm Long

719-SS
640mm CC
719mm Long

Merryville

AVAILABLE FINISHES



BNBDL DBAC PC SN



897-3-BNBDL
3" CC
5 1/8" Long



897-BNBDL
Knob
1 1/8" Dia.



897L-BNBDL
Knob
1 1/4" Dia.



Park – New!

AVAILABLE FINISHES



DBAC BNBDL SN PC



183-PC
Knob
1 1/8" Proj.



183-3-PC
3" CC
3 3/4" Long



183-96-PC
96MM CC
4 1/2" Long

Seaver – New!

AVAILABLE FINISHES



DBAC BNBDL SN PC



511-DBAC
Knob
1 1/4" Dia.



511-3-DBAC
3" CC
4 1/16" Long



511-96-DBAC
96MM CC
4 7/8" Long

Sedona

AVAILABLE FINISHES



SN SBZ MB



26-SN
Knob
1" Dia.



400-SN
3" CC
4" Long



475-SN
3 3/4" CC
4 3/4" Long



600-SN
5" CC
6" Long



Slade

AVAILABLE FINISHES



3915-DACM
Knob
1" Dia.



984-3-DACM
3" CC
3 1/2" Long



984-96-DACM
3 3/4" CC
4 1/4" Long



984-128-DACM
5" CC
5 1/2" Long



984-160-DACM
6 1/4" CC
6 3/4" Long



984-192-DACM
7 9/16" CC
8" Long

NOTE: 984-3, 984-96, 984-128, 984-160 and 984-192 are not available in AB or PB Finishes.

Somerset

AVAILABLE FINISHES



8004-DBAC
3 3/4" CC
4 7/8" Long



81065-DBAC
5" CC
6" Long



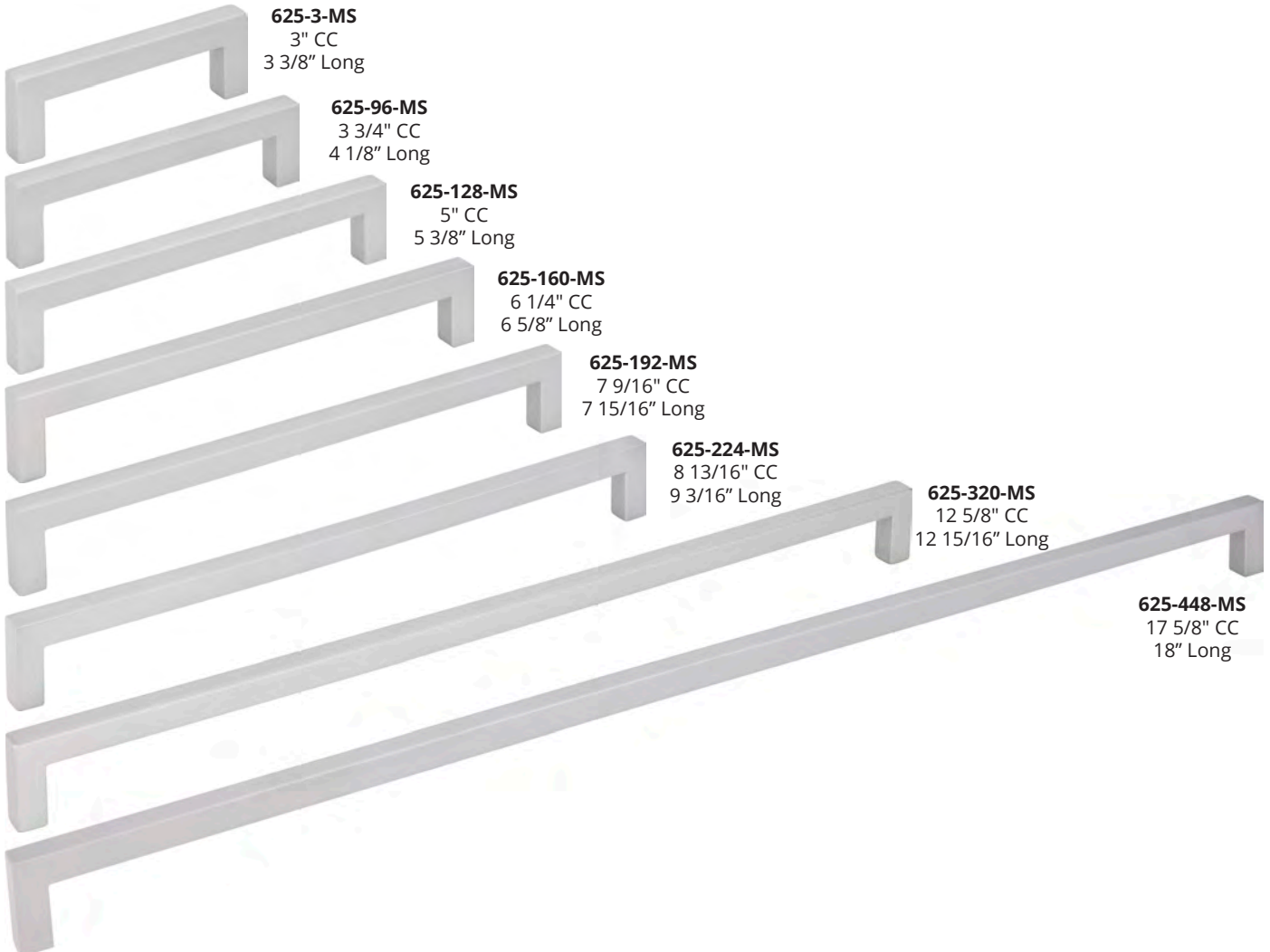
80814-DBAC
3 3/4" CC
5" Long



80815-DBAC
5" CC
6 1/4" Long

Stanton

AVAILABLE FINISHES



625-3-MS
3" CC
3 3/8" Long

625-96-MS
3 3/4" CC
4 1/8" Long

625-128-MS
5" CC
5 3/8" Long

625-160-MS
6 1/4" CC
6 5/8" Long

625-192-MS
7 9/16" CC
7 15/16" Long

625-224-MS
8 13/16" CC
9 3/16" Long

625-320-MS
12 5/8" CC
12 15/16" Long

625-448-MS
17 5/8" CC
18" Long

Strickland

AVAILABLE FINISHES



771-3-SN
3" CC
4 1/2" Long

771-96-SN
3 3/4" CC
5 3/16" Long

771-128-SN
5" CC
6 5/16" Long

771-160-SN
6 1/4" CC
7 11/16" Long

Item	1+	25+	100+
771-3	\$2.61	\$2.36	\$2.16
771-96	\$2.96	\$2.68	\$2.45
771-128	\$3.44	\$3.12	\$2.85
771-160	\$4.06	\$3.68	\$3.37



Syracuse

AVAILABLE FINISHES



BNBDL DBAC PC SN



575-96-BNBDL
3 3/4" CC
4 7/8" Long



575-BNBDL
Knob
1 3/16" Dia.

Thatcher

AVAILABLE FINISHES



MB DBAC BNBDL SBZ BG SN PC



859T-SBZ
Knob
1 1/2" Dia.



859-3-SBZ
3" CC
5 1/4" Long



859-96-SBZ
3 3/4" CC
6" Long



859-128-SBZ
5" CC
7 1/4" Long



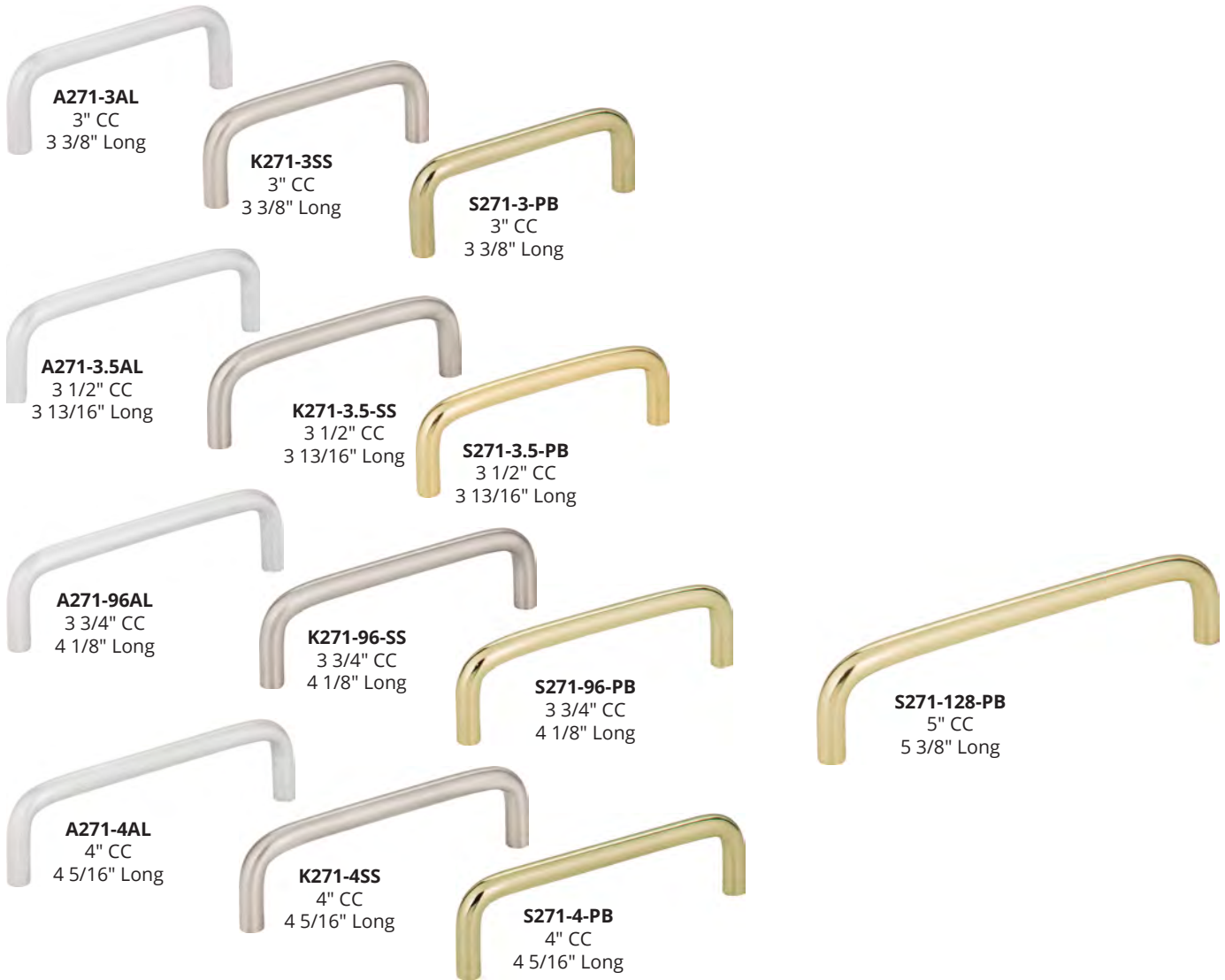
859-160-SBZ
6 1/4" CC
8 1/2" Long

859-128-SBZ
Thatcher



Torino

AVAILABLE FINISHES



Vienna

AVAILABLE FINISHES



DBAC SN

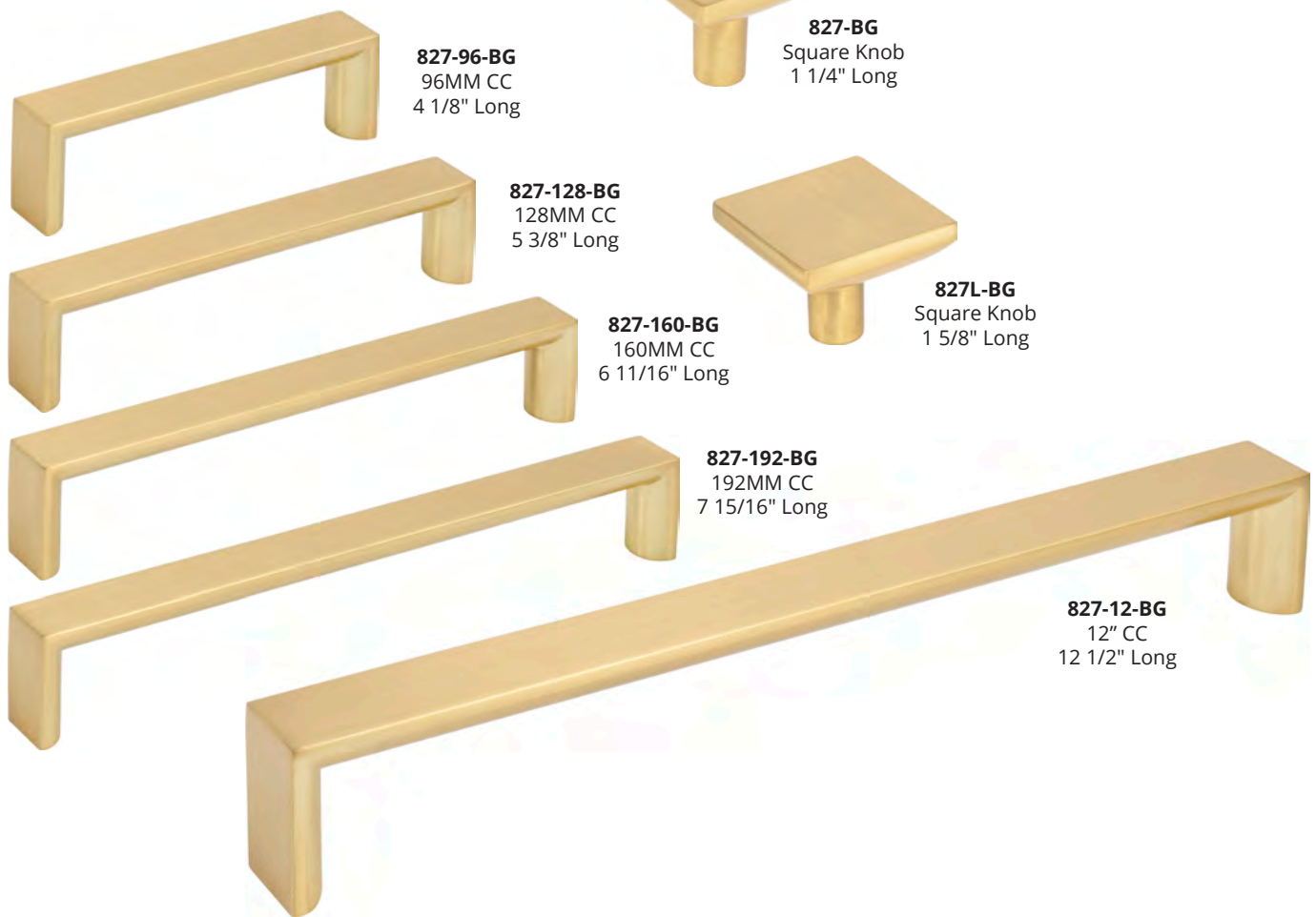


Walker 1 – New!

AVAILABLE FINISHES



MB BNBDL SBZ BG SN PC



827-96-BG
96MM CC
4 1/8" Long

827-BG
Square Knob
1 1/4" Long

827-128-BG
128MM CC
5 3/8" Long

827L-BG
Square Knob
1 5/8" Long

827-160-BG
160MM CC
6 11/16" Long

827-192-BG
192MM CC
7 15/16" Long

827-12-BG
12" CC
12 1/2" Long

Walker 2 – New!

AVAILABLE FINISHES



MB BNBDL SBZ BG SN PC



727-96-PC
96MM CC
4" Long

727-128-PC
128MM CC
5 5/16" Long

727-160-PC
160MM CC
6 9/16" Long

727-192-PC
192MM CC
7 13/16" Long



Watervale

AVAILABLE FINISHES



SN BNBDL PC DBAC



647-DBAC
Knob
1 1/8" Dia.



647-3-DBAC
3" CC
4 5/8" Long



647-96-DBAC
3 3/4" CC
5 3/8" Long

Westbury

AVAILABLE FINISHES



BNBDL DBAC PC SN



3898-PC
Knob
1 1/4" Dia.



3899-PC
3" CC
5 1/8" Long

Zachary

AVAILABLE FINISHES



BNBDL DBAC PC SN MB



988-SN
Knob
1 1/6" Dia.



988-3-SN
3" CC
3 3/4" Long



988-96-SN
3 3/4" CC
4 1/2" Long



988-128-SN
5" CC
5 3/4" Long



988-160-SN
6 1/4" CC
7 1/16" Long

